

TMF 4000 Technical Data

Main dimensions

Output flange Ø [mm]	1030
Height (mounting surface of output flange) [mm]	355
Center hole Ø [mm]	450
Approx. weight of rotary indexing table with drive [kg]	1270
Gear ratio [i]	20

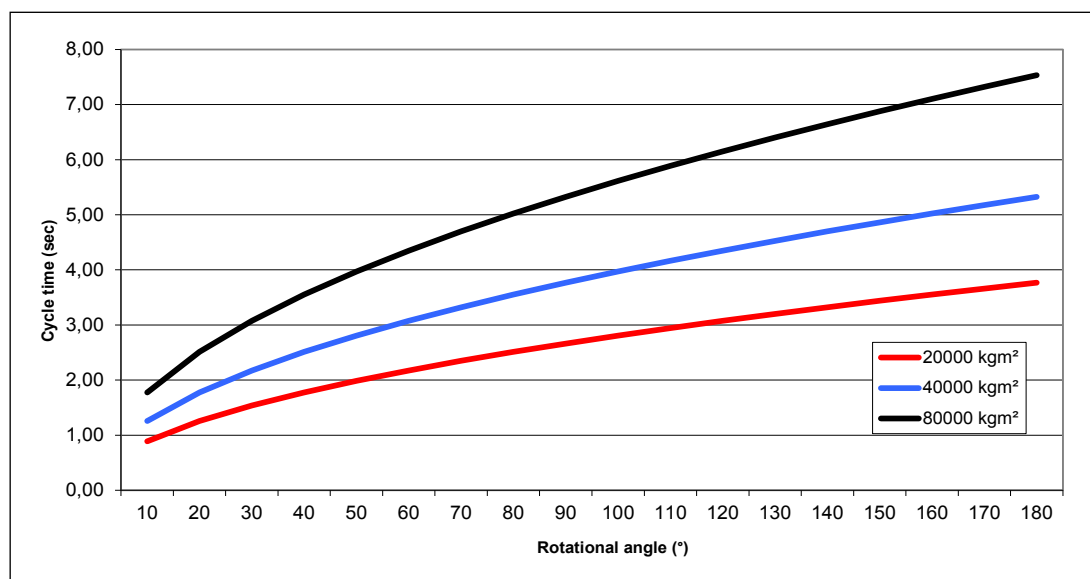
Precision

at absolute positioning in angular seconds ["] *	±6
at relative positioning in angular seconds ["]	±40
Axial runout on output flange Ø [mm]	0,02
Concentric runout on output flange Ø [mm]	0,02

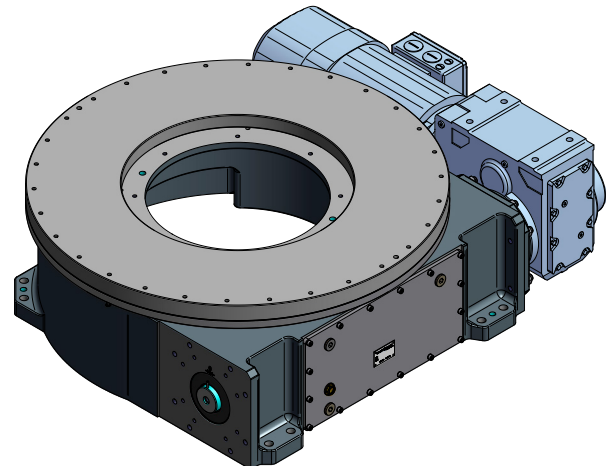
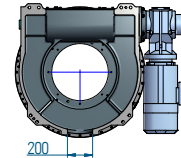
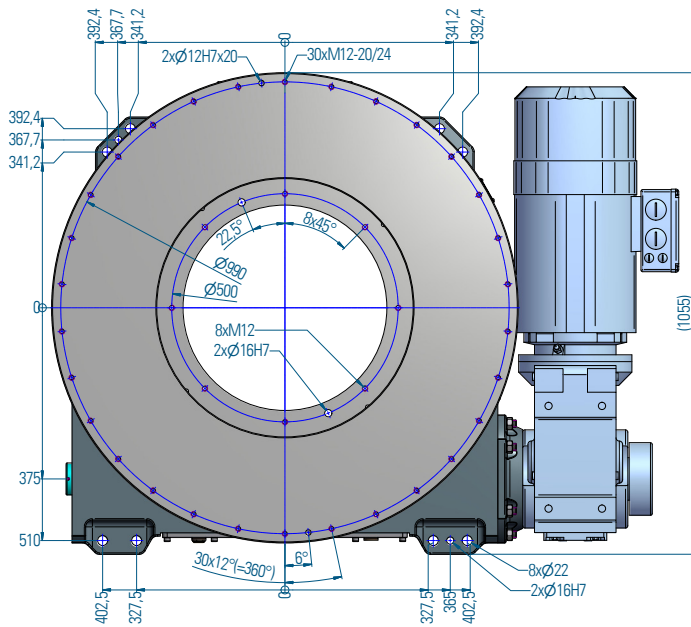
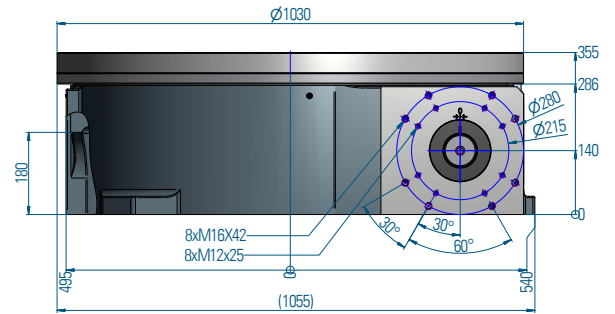
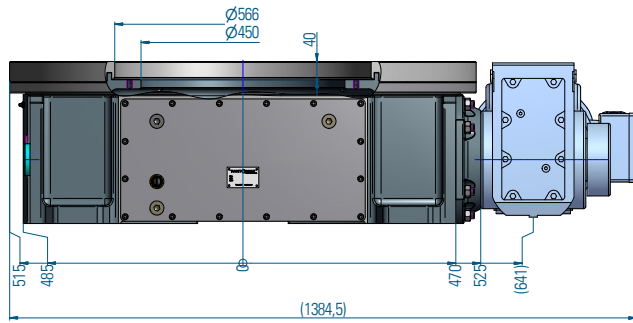
Load on output flange

max. axial force [kN]	C_{0a}	1468
max. radial force [kN] dyn	C_r	92
max. radial force [kN] stat	C_{0r}	690
max. tilting moment [kNm]	C_{0m}	324
max. radial moment [Nm]	M_{rstat}	-

These are maximum values for individual acting forces occurring. If there are several acting forces in total, please get in contact with us to help you create a calculation with the maximum permissible acting forces, moments and life cycle.



* By using the complete TAKTOMAT control package



TMF 4000

Technical Data Sheet