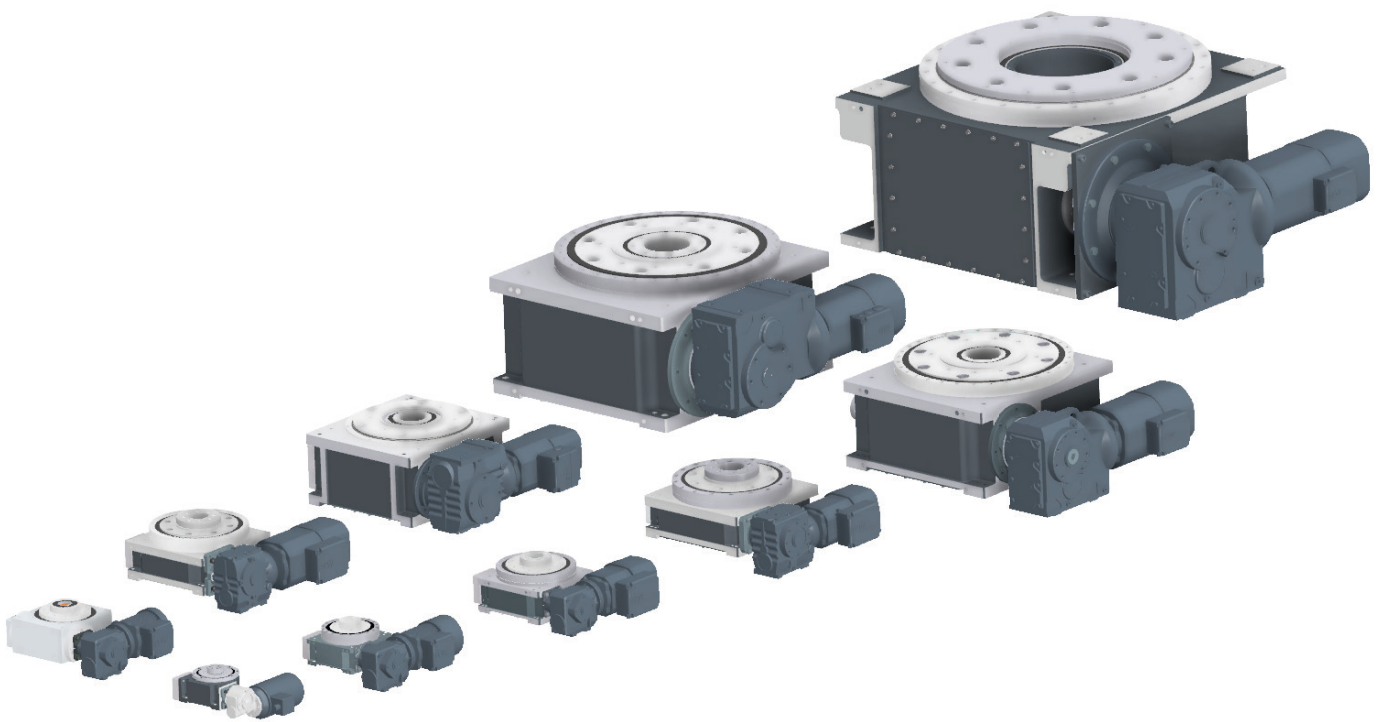


TAKTOMAT

passion for automation

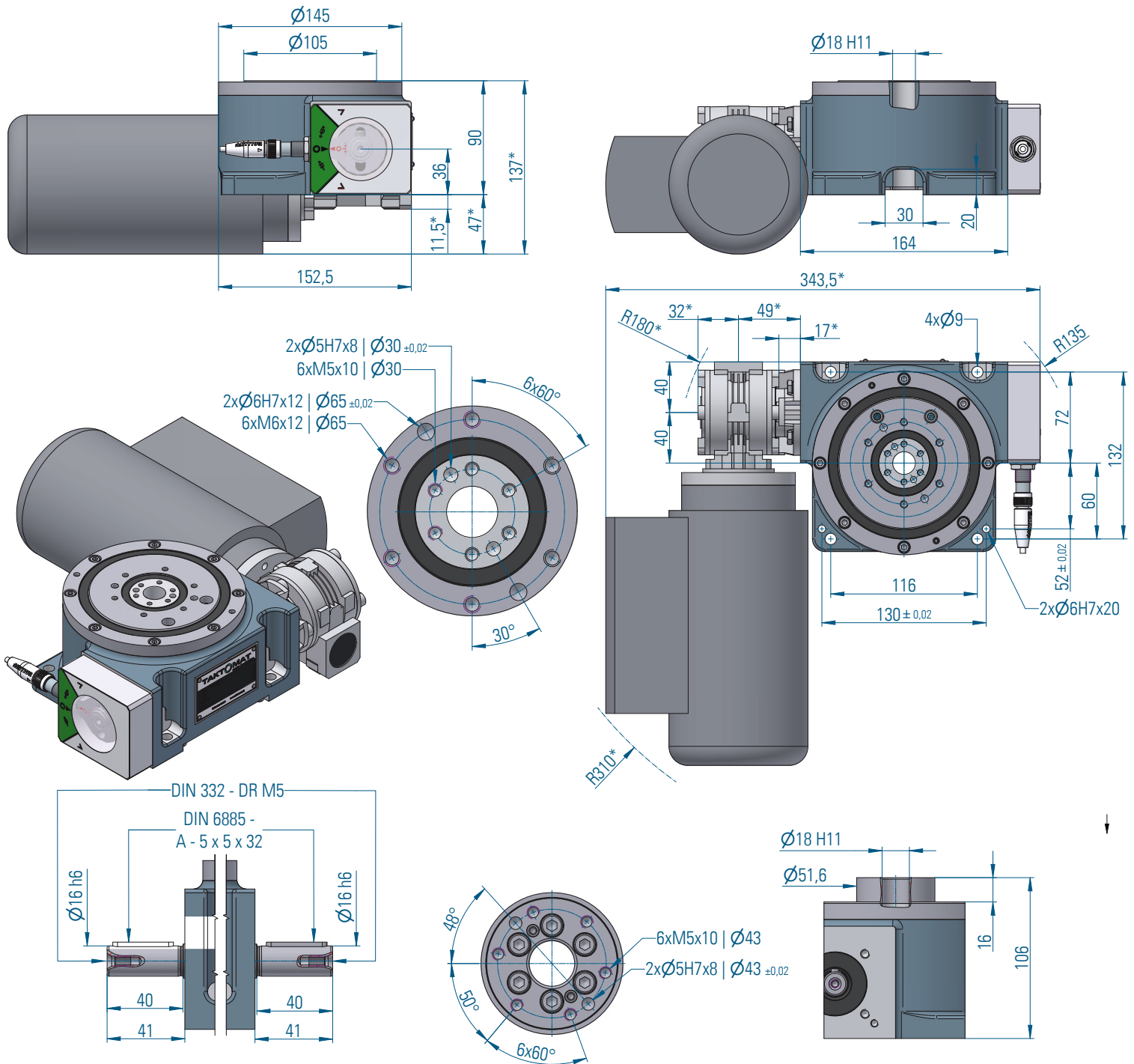


Rotary indexers

TYPE RTX

RTX350

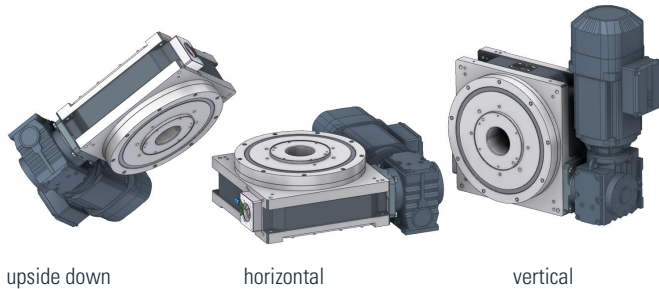
Main dimensions



* Dimensions depend on the used drive

RTX350

Fitting position

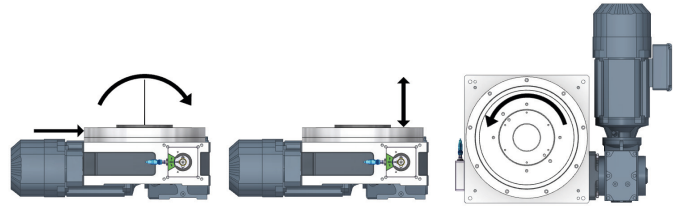


upside down

horizontal

vertical

Load on output flange



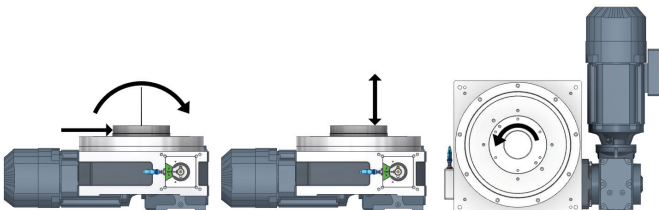
Radial force F_{rA} [kN] 10

Axial force F_{aA} [kN] 11

Torque on output flange [Nm] 376

Tilting moment M_{kA} [kNm] 0,6

Load on central column



Radial force F_{rM} [kN] 1,5

Axial force F_{aM} [kN] 7

Torque on output flange [Nm] 10

Tilting moment M_{kM} [kNm] 0,1

Precision

Axial runout on the output flange \varnothing [mm]	0,01
Runout on the output flange \varnothing [mm]	0,01
Indexing accuracy * in angular seconds ["]	± 45

* Increased indexing accuracy accessible through selected components
 „From division 16, the division error due to multi-point locks on the drive cam is larger by a factor of 1.5“

Combined loads and possible process forces must be confirmed by TAKTOMAT.

Dimensions

Output flange \varnothing	[mm]	105
Overall height (output flange screw-on surface)	[mm]	90
Center opening \varnothing	[mm]	18
Recommended max. size of rotating plate \varnothing	[mm]	600
Index table weight	[kg]	15
Number of indexes Other numbers on request	n	2, 3, 4, 6, 8, 10, 12, 16, 20, 24, 30, 36

Standard drive

Motor size		IEC56
Gear size (Center distance)		28
Voltage (other voltages on request)	[V]	230 / 400
Power	[kW]	0,06 - 0,18

RTX350 Load table



Speed	Step	1	2	3	4	5	6	7	8	9	10	11	12	13
n	t													
	J _{Max}													
2	t			0,38	0,57	0,76	1,07	1,52	1,87	2,18	2,73	3,11		
	J _{Max}			2,50	5,63	10,02	19,65	40,11	60,20	82,11	128,30	167,57		
	J _L			0,75	1,91	3,70	8,04	18,26	29,13	41,63	69,56	94,57		
3	J			0,09	0,39	0,34	0,99	3,10	5,47	4,48	8,11	12,79		
	t			0,38	0,57	0,76	1,07	1,52	1,87	2,18	2,73	3,11		
	J _{Max}			4,16	9,37	16,66	32,66	66,66	100,04	136,45	213,21	278,48		
4	J _L			1,44	3,67	7,11	15,43	35,06	55,92	79,91	133,50	181,50		
	J			0,24	0,91	0,83	2,33	7,20	12,62	10,53	18,93	29,67		
	t			0,36	0,54	0,71	1,00	1,43	1,75	2,04	2,56	2,92		
5	J _{Max}			4,98	11,22	19,95	39,11	79,83	119,80	163,41	255,33	333,49		
	J _L			1,95	4,97	9,65	20,92	47,53	75,80	108,33	180,98	246,05		
	J			0,37	1,38	1,29	3,56	10,84	18,93	16,02	28,65	44,66		
6	t			0,36	0,54	0,71	1,00	1,43	1,75	2,04	2,56	2,92		
	J _{Max}			8,21	18,49	32,88	64,46	131,55	197,42	269,27	420,74	549,54		
	J _L			3,60	9,15	17,74	38,48	87,41	139,40	199,20	332,81	452,46		
8	J			0,85	3,09	3,02	8,08	24,08	41,77	36,18	64,22	99,24		
	t			0,36	0,54	0,71	1,00	1,43	1,75	2,04	2,56	2,92		
	J _{Max}			11,02	24,81	44,12	86,48	176,50	264,86	361,26	564,48	737,28		
10	J _L			5,36	13,62	26,41	57,26	130,07	207,45	296,44	495,26	673,31		
	J			1,62	5,73	5,76	15,15	44,39	76,64	67,56	119,23	183,02		
	t			0,36	0,54	0,71	1,00	1,43	1,75	2,04	2,56	2,92		
12	J _{Max}			13,82	31,10	55,29	108,38	221,19	331,92	452,73	707,40	923,95		
	J _L			7,25	18,43	35,72	77,46	175,94	280,60	400,97	669,89	910,73		
	J			2,67	9,25	9,54	24,71	71,49	122,93	109,91	193,08	294,83		
16	t			0,36	0,54	0,71	1,00	1,43	1,75	2,04	2,56	2,92		
	J _{Max}			16,60	37,37	66,44	130,23	265,78	398,84	544,00	850,00	1110,20		
	J _L			8,90	22,64	43,88	95,16	216,14	344,71	492,58	822,95	1110,20		
20	J			4,01	13,68	14,38	36,84	105,51	180,86	163,51	286,21	435,24		
	t	0,16	0,24	0,33	0,46	0,64	0,79	0,92	1,15	1,31				
	J _{Max}	4,45	10,02	18,62	36,50	71,33	107,05	146,01	228,14	297,99				
24	J _L	3,39	8,64	17,61	36,50	71,33	107,05	146,01	228,14	297,99				
	J	0,68	2,28	2,64	6,67	17,60	30,05	27,60	48,07	72,67				
	t	0,16	0,24	0,33	0,46	0,64	0,79	0,92	1,15	1,31				
30	J _{Max}	5,58	12,57	23,35	45,78	89,47	134,26	183,13	286,14	373,73				
	J _L	4,60	11,69	23,35	45,78	89,47	134,26	183,13	286,14	373,73				
	J	1,11	3,67	4,31	10,78	28,21	48,00	44,55	77,34	116,47				
36	t	0,16	0,24	0,33	0,46	0,64	0,79	0,92	1,15	1,31				
	J _{Max}	6,71	15,12	28,07	55,03	107,56	161,41	220,15	344,00	449,30				
	J _L	5,65	14,36	28,07	55,03	107,56	161,41	220,15	344,00	449,30				
From n=36	J	1,64	5,39	6,40	15,89	41,34	70,20	65,63	113,68	170,72				
	t	0,16	0,24	0,33	0,46	0,64	0,79	0,92	1,15	1,31				
	J _{Max}	3,89	8,76	16,27	31,90	62,35	93,56	127,62	199,41	260,46				
From n=36	J _L	3,36	8,55	16,27	31,90	62,35	93,56	127,62	199,41	260,46				
	J	2,64	8,55	10,29	25,39	62,35	93,56	104,78	181,10	260,46				
	t	0,16	0,22	0,31	0,44	0,61	0,77	0,88						
From n=36	J _{Max}	10,08	18,71	36,68	74,87	146,76	229,31	299,51						
	J _L	10,08	18,71	36,68	74,87	146,76	229,31	299,51						
	J	3,67	4,43	10,91	30,03	45,00	77,68	116,21						

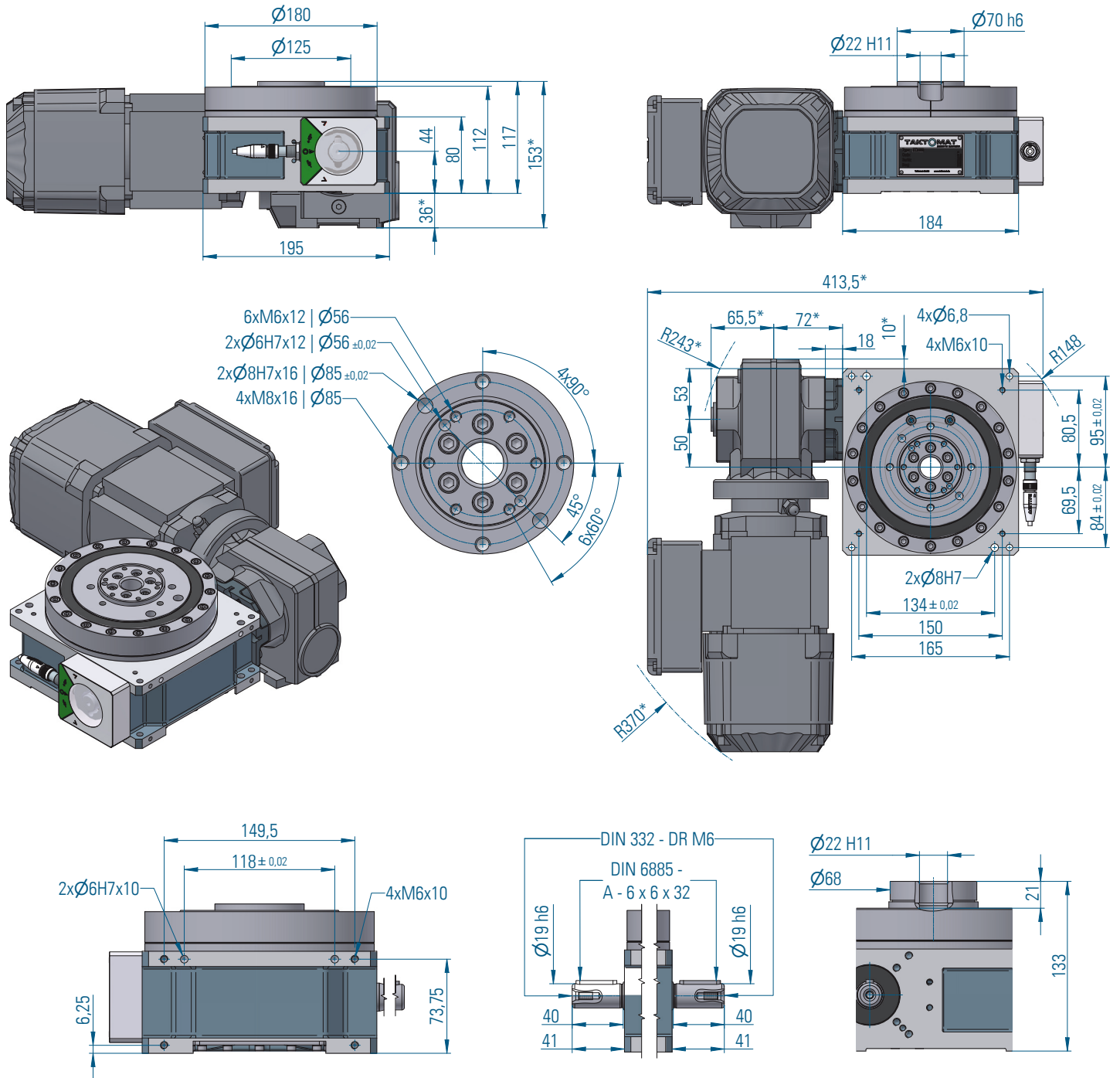
n = Number of steps / 360°
 revolution of output flange
 t = Step time in [s]
 J_{Max} = Mass moment of inertia
 (base plate + fixtures and parts) in [Kgm²]
 Without motor and lifetime
 J_L = Mass moment of inertia by life time
 (base plate + fixtures and parts) in [Kgm²]
 J = Mass moment of inertia with motor
 (base plate + fixtures and parts) in [Kgm²]

From n=16 The output flange steps
 2 times per cam revolution

From n=36 The output flange steps
 3 times per cam revolution

RTX450

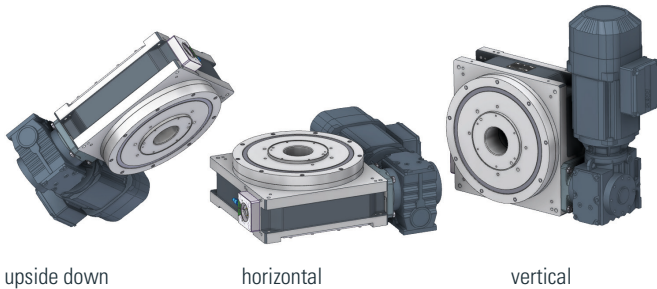
Main dimensions



* Dimensions depend on the used drive

RTX450

Fitting position

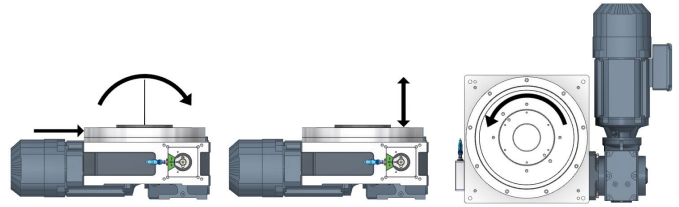


upside down

horizontal

vertical

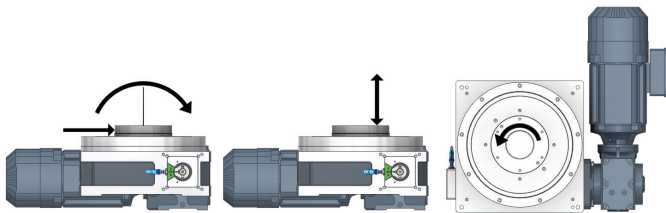
Load on output flange



Radial force F_{rA} [kN] 17,5 Axial force F_{aA} [kN] 20 Torque on output flange [Nm] 322

Tilting moment M_{kA} [kNm] 1,3

Load on central column



Radial force F_{rM} [kN] 2,7 Axial force F_{aM} [kN] 18 Torque on output flange [Nm] 77

Tilting moment M_{kM} [kNm] 0,36

Precision

Axial runout on the output flange \varnothing [mm]	0,01
Runout on the output flange \varnothing [mm]	0,01
Indexing accuracy * in angular seconds ["]	± 35

* Increased indexing accuracy accessible through selected components
 „From division 16, the division error due to multi-point locks on the drive cam is larger by a factor of 1.5“

Combined loads and possible process forces must be confirmed by TAKTOMAT.

Dimensions

Output flange \varnothing	[mm]	125
Overall height (output flange screw-on surface)	[mm]	112
Center opening \varnothing	[mm]	22
Recommended max. size of rotating plate \varnothing	[mm]	800
Index table weight	[kg]	30
Number of indexes Other numbers on request	n	2, 3, 4, 6, 8, 10, 12, 16, 20, 24, 30, 36

Standard drive

Motor size		IEC63-71
Gear size (Center distance)		37 / 19
Voltage (other voltages on request)	[V]	230 / 400
Power	[kW]	0,12 – 1,5

RTX450 Load table

n = Number of stops / 360°
revolution of output flange
t = Step time in [s]

J_{Max} = Mass moment of inertia
(base plate + fixtures and parts) in [Kgm²]
Without motor and lifetime

J_L = Mass moment of inertia by life time
(base plate + fixtures and parts) in [Kgm²]

J = Mass moment of inertia with motor
(base plate + fixtures and parts) in [Kgm²]

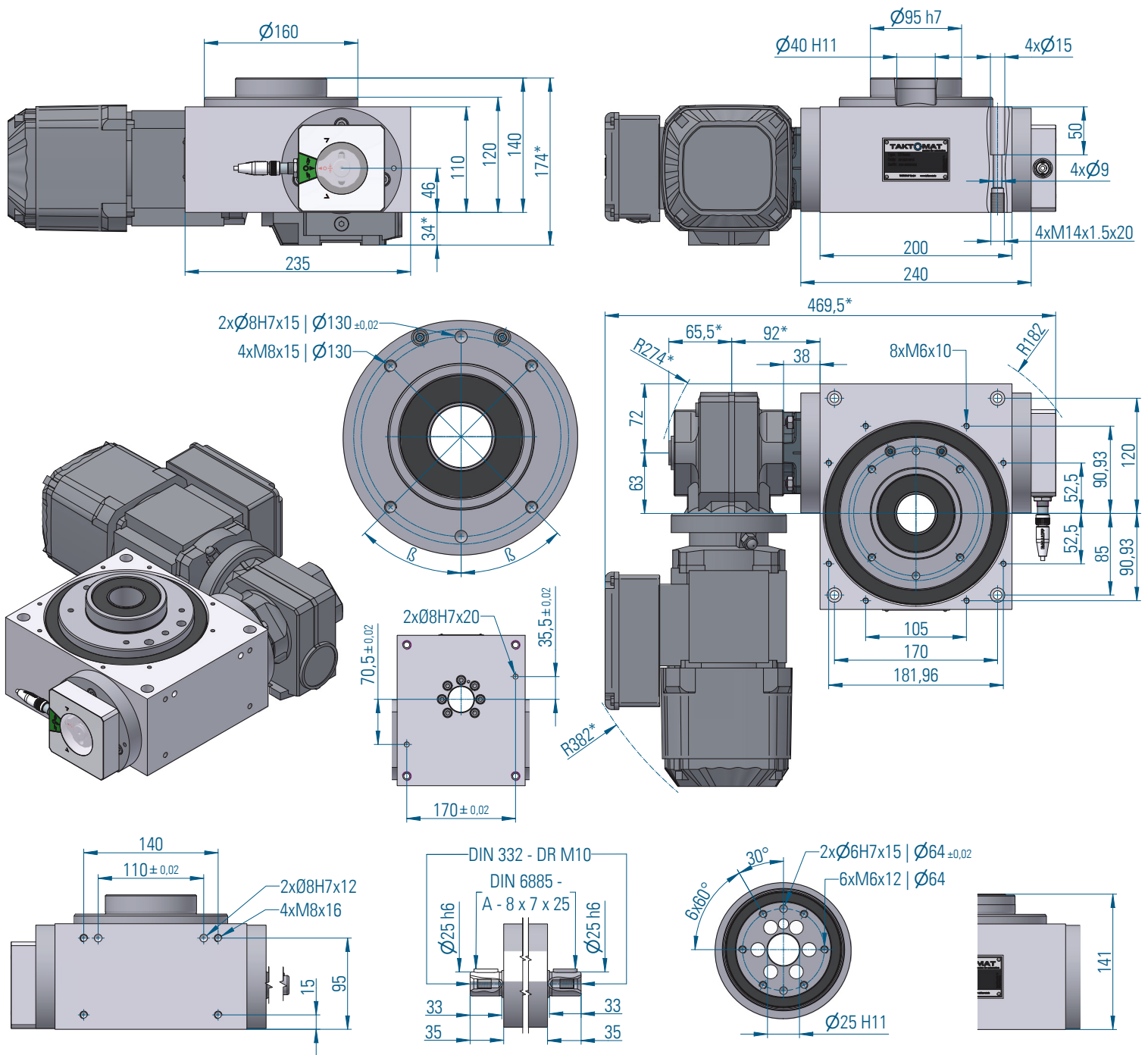
Speed	Step	1	2	3	4	5	6	7	8	9	10	11	12	13		
2	n															
	t		0,25	0,38	0,55	0,75	1,04	1,52	1,79	2,21	2,45	2,89	3,32	4,28		
	J_{Max}		0,81	1,96	4,13	7,68	14,88	31,78	44,09	66,96	82,25	114,40	151,48	251,87		
	J_L		0,21	0,59	1,4	2,86	6,14	14,7	21,41	34,63	43,87	64,11	88,55	158,9		
	J		0,06	0,59	0,58	1,55	4,05	8,93	21,41	33,11	43,87	51,06	88,55	158,90		
	3	t		0,252	0,35	0,55	0,71	1,00	1,44	1,77	2,07	2,21	2,60	3,27	3,99	
		J_{Max}		1,32	2,62	6,33	10,54	20,81	43,56	65,44	90,27	102,48	141,84	224,84	334,85	
		J_L		0,43	0,94	2,61	4,69	10,26	24,01	38,33	55,49	64,21	93,31	158,5	250,58	
		J		0,42	0,86	1,36	4,69	10,26	24,01	32,48	53,63	64,21	93,31	158,50	250,58	
		4	t		0,22	0,33	0,49	0,66	0,92	1,27	1,58	1,68	2,04	2,44	2,75	3,58
			J_{Max}		1,76	4,03	8,64	16,04	31,06	59,42	92,02	103,70	152,76	217,99	277,40	470,84
	J_L			0,59	1,53	3,68	7,51	16,07	33,89	56,04	64,3	100,39	151,11	199,37	366,34	
	J			0,47	1,22	2,52	6,77	16,07	33,89	56,04	64,30	72,44	151,11	199,37	243,26	
	5	t		0,22	0,33	0,48	0,66	0,87	1,33	1,68	1,86	2,04	2,44	2,93	3,58	
		J_{Max}		1,97	4,49	9,42	17,87	30,65	72,35	115,53	141,42	170,19	242,87	352,23	524,58	
J_L			0,67	1,75	4,1	8,57	15,94	42,81	73,33	92,53	114,49	172,34	264,28	417,83		
J			0,67	1,75	2,40	8,57	14,35	38,00	73,33	92,53	114,25	172,34	210,43	383,36		
6	t		0,22	0,33	0,48	0,66	0,87	1,27	1,58	1,68	2,04	2,59	2,93	3,58		
	J_{Max}		2,67	6,09	12,77	24,22	41,54	89,72	138,95	156,58	230,66	371,71	477,38	710,95		
	J_L		1,04	2,69	6,3	13,16	24,47	59,33	98,11	112,56	175,74	304,21	405,64	641,3		
	J		1,04	2,69	3,54	13,16	20,92	59,33	98,11	112,56	165,94	207,30	305,94	556,39		
8	t	0,19	0,22	0,33	0,48	0,66	0,87	1,33	1,58	1,86	2,03	2,59	2,93	3,58		
	J_{Max}	2,58	3,57	7,91	17,07	32,36	55,50	131,02	185,65	256,08	304,39	496,63	637,81	949,88		
	J_L	1,05	1,53	3,83	9,29	19,39	36,07	96,85	144,6	209,31	255,34	448,34	597,81	945,12		
	J	1,05	1,53	3,22	6,53	19,39	36,07	96,85	106,72	176,21	223,92	375,48	552,82	945,12		
10	t	0,19	0,22	0,28	0,48	0,60	0,87	1,33	1,58	1,86	2,03	2,59	2,93			
	J_{Max}	3,16	4,38	7,00	21,36	33,08	69,44	163,93	232,28	320,40	380,84	621,36	798,00			
	J_L	1,38	2,02	3,46	12,51	20,7	48,57	130,42	194,71	281,86	343,83	603,71	798			
	J	1,38	2,02	3,46	10,53	20,70	48,57	130,42	170,20	280,10	343,83	595,92	798,00			
12	t	0,20	0,22	0,33	0,48	0,60	0,92	1,27	1,58	1,86	2,03	2,59	2,93			
	J_{Max}	3,74	4,76	10,54	22,75	35,23	83,52	159,75	247,41	341,26	405,64	661,82	849,97			
	J_L	1,66	2,19	5,47	13,26	21,93	59,19	124,78	206,36	298,71	364,38	639,8	849,97			
	J	1,54	2,19	5,47	13,26	21,93	47,15	124,78	206,36	298,71	364,38	639,80	849,97			
16	t			0,16	0,23	0,32	0,44	0,64	0,75	0,92	1,03	1,24	1,41			
	J_{Max}			3,60	7,95	15,57	28,58	61,05	82,13	124,73	157,96	226,51	293,74			
	J_L			2,79	6,95	15,06	28,58	61,05	82,13	124,73	157,96	226,51	293,74			
	J			0,98	3,30	3,91	20,66	45,31	71,13	112,56	157,96	226,51	254,11			
20	t			0,16	0,23	0,32	0,44	0,64	0,84	0,91	1,03	1,24	1,41			
	J_{Max}			4,51	9,95	19,49	35,77	76,41	129,73	154,20	197,71	283,51	367,66			
	J_L			3,76	9,36	19,49	35,77	76,41	129,73	154,2	197,71	283,51	367,66			
	J			1,58	5,28	6,35	32,72	71,72	106,69	135,00	162,11	283,51	367,66			
24	t			0,16	0,23	0,32	0,44	0,61	0,76	0,91	1,03	1,22	1,41			
	J_{Max}			4,80	10,60	20,77	38,11	74,47	112,90	164,27	210,62	292,94	391,66			
	J_L			3,99	9,9	20,77	38,11	74,47	112,9	164,27	210,62	292,94	391,66			
	J			2,34	7,74	9,40	38,11	63,28	112,90	164,27	210,62	292,94	391,66			
30	t			0,16	0,23	0,32	0,43	0,64	0,76	0,91	1,03	1,24	1,40			
	J_{Max}			6,01	13,26	25,97	46,23	101,80	141,19	205,44	263,40	377,71	485,08			
	J_L			5,35	13,26	25,97	46,23	101,8	141,19	205,44	263,4	377,71	485,08			
	J			3,75	12,29	15,05	46,23	101,80	141,19	205,44	263,40	377,71	485,08			
36	t				0,16	0,21	0,29	0,43	0,56	0,61	0,65	0,82	0,93			
	J_{Max}				7,96	14,34	28,64	61,17	103,86	124,99	139,12	226,99	291,52			
	J_L				7,96	14,34	28,64	61,17	103,86	124,99	139,12	226,99	291,52			
	J				5,25	9,03	28,64	61,17	103,86	124,99	139,12	226,99	291,52			

From n=16 The output flange steps
2 times per cam revolution

From n=36 The output flange steps
3 times per cam revolution

RTX550

Main dimensions



Position of the hole pattern in the output flange

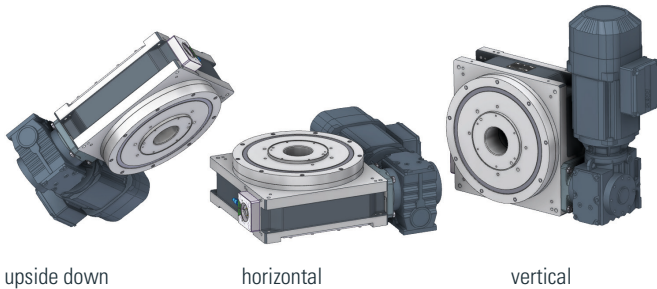
Stop number	Quantity bolts	Angle β	Torsion fitting holes
2; 4; 6; 8; 16	6-8	45°	-
3	9	30°	one-sided 10°CCW
5; 10	10	36°	-
12; 36	12	30°	-

Further stop numbers you can find in the RTF/RTX550 dimension sheet at our website.

* Dimensions depend on the used drive

RTX550

Fitting position

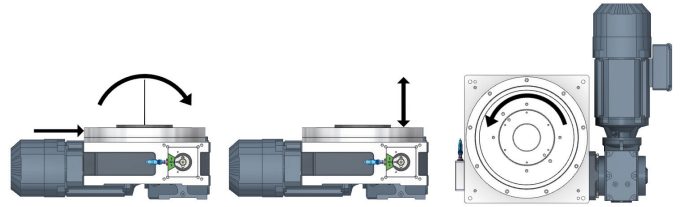


upside down

horizontal

vertical

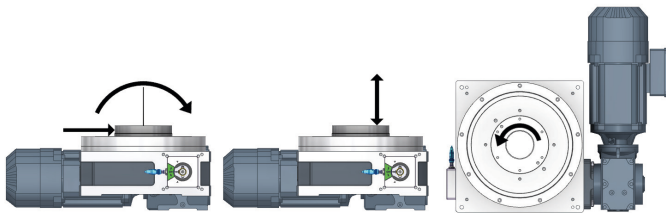
Load on output flange



Radial force F_{rA} [kN] 23 Axial force F_{aA} [kN] 18,4 Torque on output flange [Nm] 508

Tilting moment M_{kA} [kNm] 1,0

Load on central column



Radial force F_{rM} [kN] 2,7 Axial force F_{aM} [kN] 18 Torque on output flange [Nm] 77

Tilting moment M_{kM} [kNm] 0,36

Precision

Axial runout on the output flange \varnothing [mm]	0,015
Runout on the output flange \varnothing [mm]	0,015
Indexing accuracy * in angular seconds ["]	± 30

* Increased indexing accuracy accessible through selected components
 „From division 16, the division error due to multi-point locks on the drive cam is larger by a factor of 1.5“

Combined loads and possible process forces must be confirmed by TAKTOMAT.

Dimensions

Output flange \varnothing	[mm]	160
Overall height (output flange screw-on surface)	[mm]	120
Center opening \varnothing	[mm]	40
Recommended max. size of rotating plate \varnothing	[mm]	1000
Index table weight	[kg]	24
Number of indexes Other numbers on request	n	2, 3, 4, 6, 8, 10, 12, 16, 20, 24, 30, 36

Standard drive

Motor size		IEC63 - 71
Gear size (Center distance)		37 / 19
Voltage (other voltages on request)	[V]	230 / 400
Power	[kW]	0,12 – 1,5

RTX550 Load table



n = Number of steps / 360°
revolution of output flange
t = Step time in [s]
J_{Max} = Mass moment of inertia
(base plate + fixtures and parts) in [Kgm²]
Without motor and lifetime
J_L = Mass moment of inertia by life time
(base plate + fixtures and parts) in [Kgm²]
J = Mass moment of inertia with motor
(base plate + fixtures and parts) in [Kgm²]

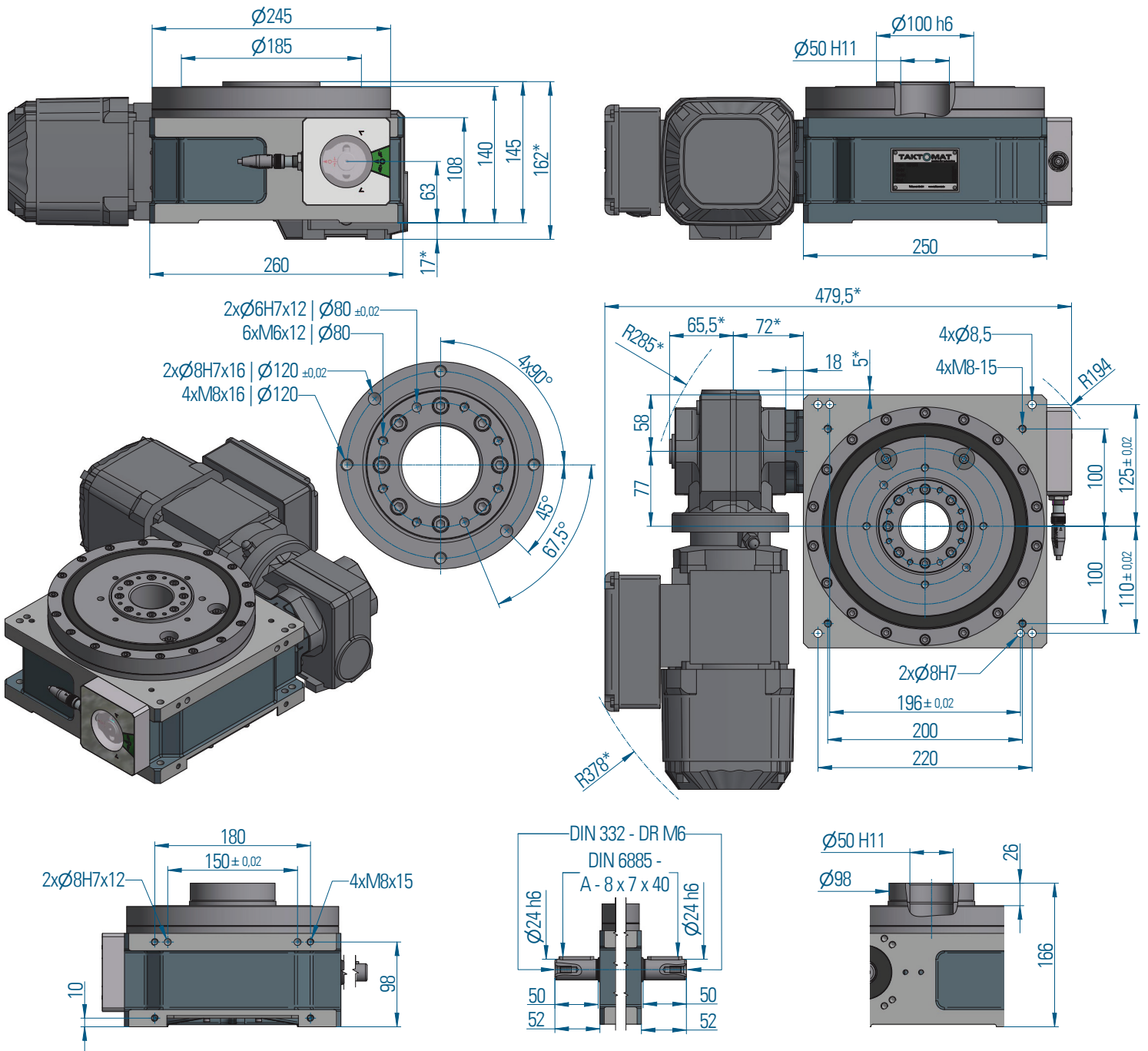
Speed	Step	1	2	3	4	5	6	7	8	9	10	11	12	13
2	n													
	t			0,55	0,77	1,04	1,52	1,79	2,11	2,30	2,89	3,32		
	J _{Max}			5,46	10,70	19,66	42,00	58,26	80,37	95,54	151,19	200,20		
	J _L			1,71	3,73	7,51	18,01	26,25	38,00	46,37	78,62	108,58		
3	J			0,36	2,28	3,30	7,33	19,76	31,58	41,58	45,47	105,27		
	t			0,54	0,72	1,00	1,44	1,77	1,98	2,21	2,89			
	J _{Max}			8,89	15,55	30,13	63,09	94,78	119,62	148,42	253,57			
4	J _L			3,00	5,72	12,26	28,70	45,83	59,90	76,78	142,15			
	J			0,32	5,72	12,26	21,42	26,52	59,90	64,55	98,52			
	t		0,36	0,52	0,73	0,98	1,43	1,68	1,97	2,30	2,75			
5	J _{Max}		5,38	11,33	22,45	40,76	87,08	120,79	166,61	225,34	323,14			
	J _L		2,20	5,20	11,42	22,69	54,34	79,16	114,60	162,18	245,49			
	J		2,01	1,45	2,43	11,69	25,86	67,45	107,25	162,18	239,92			
6	t		0,36	0,56	0,72	0,98	1,45	1,68	2,12	2,30	2,75			
	J _{Max}		6,76	16,99	27,89	51,19	112,73	151,66	241,19	282,94	405,73			
	J _L		3,00	8,69	15,37	30,91	76,64	107,79	183,79	220,82	334,25			
8	J		3,00	5,83	12,80	18,82	67,79	106,98	149,62	220,82	334,25			
	t		0,36	0,56	0,72	0,98	1,43	1,68	2,07	2,30	2,75			
	J _{Max}		11,02	27,69	45,43	83,37	178,07	246,99	375,13	460,77	660,73			
10	J _L		5,15	14,86	26,28	52,83	126,45	184,21	297,88	377,35	571,17			
	J		4,48	8,15	17,75	26,23	57,87	147,27	222,49	377,35	520,14			
	t		0,36	0,52	0,73	0,98	1,43	1,68	2,07					
12	J _{Max}		14,74	31,01	61,42	111,48	238,11	330,26	501,59					
	J _L		7,62	17,93	39,35	78,12	186,97	272,37	440,44					
	J		7,62	6,81	11,75	48,72	107,33	267,99	404,90					
16	t		0,31	0,48	0,60	0,87	1,27	1,58	1,86					
	J _{Max}		14,34	33,72	52,23	109,66	236,85	366,81	505,97					
	J _L		7,69	20,57	34,03	79,87	193,64	320,23	463,55					
20	J		7,69	8,71	18,39	54,47	73,29	150,52	252,95					
	t		0,33	0,48	0,60	0,87	1,27	1,58						
	J _{Max}		15,01	32,40	50,18	105,35	227,55	352,40						
24	J _L		8,12	19,69	32,57	76,44	185,32	306,47						
	J		6,61	13,35	27,72	76,44	111,12	225,39						
	t	0,23	0,32	0,44	0,64	0,76	0,89	1,03						
30	J _{Max}	12,54	24,57	45,10	96,33	133,62	184,31	249,28						
	J _L	11,41	24,57	45,10	96,33	133,62	184,31	249,28						
	J	3,00	12,91	19,61	43,08	102,90	161,35	249,28						
36	t	0,23	0,32	0,44	0,64	0,84	0,92	1,03						
	J _{Max}	12,56	23,32	45,18	96,51	163,86	197,20	249,74						
	J _L	11,54	23,32	45,18	96,51	163,86	197,20	249,74						
24	J	4,96	12,49	31,56	69,27	102,54	172,78	249,74						
	t	0,23	0,32	0,44	0,64	0,76	0,91	1,03						
	J _{Max}	15,09	28,02	54,27	115,92	160,79	233,95	299,96						
30	J _L	14,71	28,02	54,27	115,92	160,79	233,95	299,96						
	J	7,40	18,48	46,38	101,73	160,79	191,29	299,96						
	t	0,23	0,32	0,44	0,61	0,71	0,88	1,03						
36	J _{Max}	18,88	35,05	67,89	132,67	178,48	271,08	375,21						
	J _L	18,88	35,05	67,89	132,67	178,48	271,08	375,21						
	J	11,98	29,62	67,89	98,10	148,04	234,82	366,41						
36	t	0,15	0,21	0,29	0,43	0,50	0,61	0,65	0,82					
	J _{Max}	9,75	18,11	36,17	77,28	107,19	155,97	175,76	286,77					
	J _L	9,75	18,11	36,17	77,28	107,19	155,97	175,76	286,77					
36	J	3,38	8,88	31,69	69,46	107,19	130,89	175,76	286,77					

From n=16 The output flange steps
2 times per cam revolution

From n=36 The output flange steps
3 times per cam revolution

RTX650

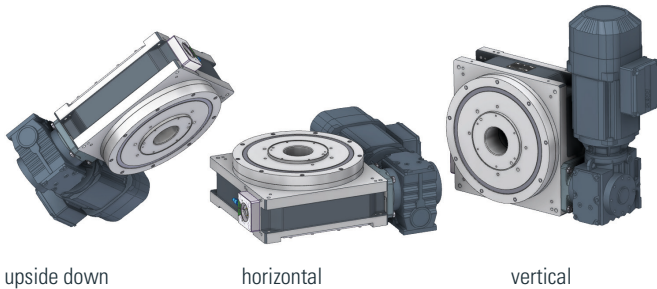
Main dimensions



* Dimensions depend on the used drive

RTX650

Fitting position

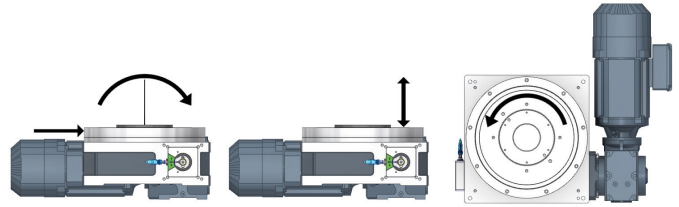


upside down

horizontal

vertical

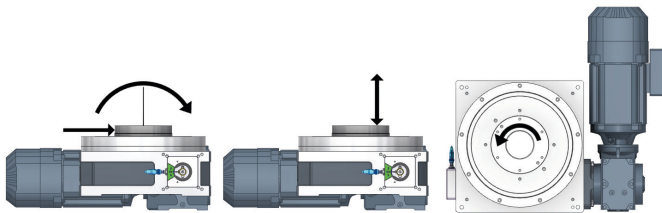
Load on output flange



Radial force F_{rA} [kN] 20 Axial force F_{aA} [kN] 22,5 Torque on output flange [Nm] 833

Tilting moment M_{kA} [kNm] 2,3

Load on central column



Radial force F_{rM} [kN] 4,1 Axial force F_{aM} [kN] 14 Torque on output flange [Nm] 170

Tilting moment M_{kM} [kNm] 0,85

Precision

Axial runout on the output flange \varnothing [mm]	0,01
Runout on the output flange \varnothing [mm]	0,01
Indexing accuracy * in angular seconds ["]	± 25

* Increased indexing accuracy accessible through selected components
 „From division 16, the division error due to multi-point locks on the drive cam is larger by a factor of 1.5“

Combined loads and possible process forces must be confirmed by TAKTOMAT.

Dimensions

Output flange \varnothing	[mm]	185
Overall height (output flange screw-on surface)	[mm]	140
Center opening \varnothing	[mm]	50
Recommended max. size of rotating plate \varnothing	[mm]	1300
Index table weight	[kg]	38
Number of indexes Other numbers on request	n	2, 3, 4, 6, 8, 10, 12, 16, 20, 24, 30, 36

Standard drive

Motor size		IEC71 / 80
Gear size (Center distance)		37 / 19
Voltage (other voltages on request)	[V]	230 / 400
Power	[kW]	0,12 – 1,5

RTX650 Load table

n = Number of stops / 360°
revolution of output flange
t = Step time in [s]
J_{Max} = Mass moment of inertia
(base plate + fixtures and parts) in [Kgm²]
Without motor and lifetime
J_L = Mass moment of inertia by life time
(base plate + fixtures and parts) in [Kgm²]
J = Mass moment of inertia with motor
(base plate + fixtures and parts) in [Kgm²]

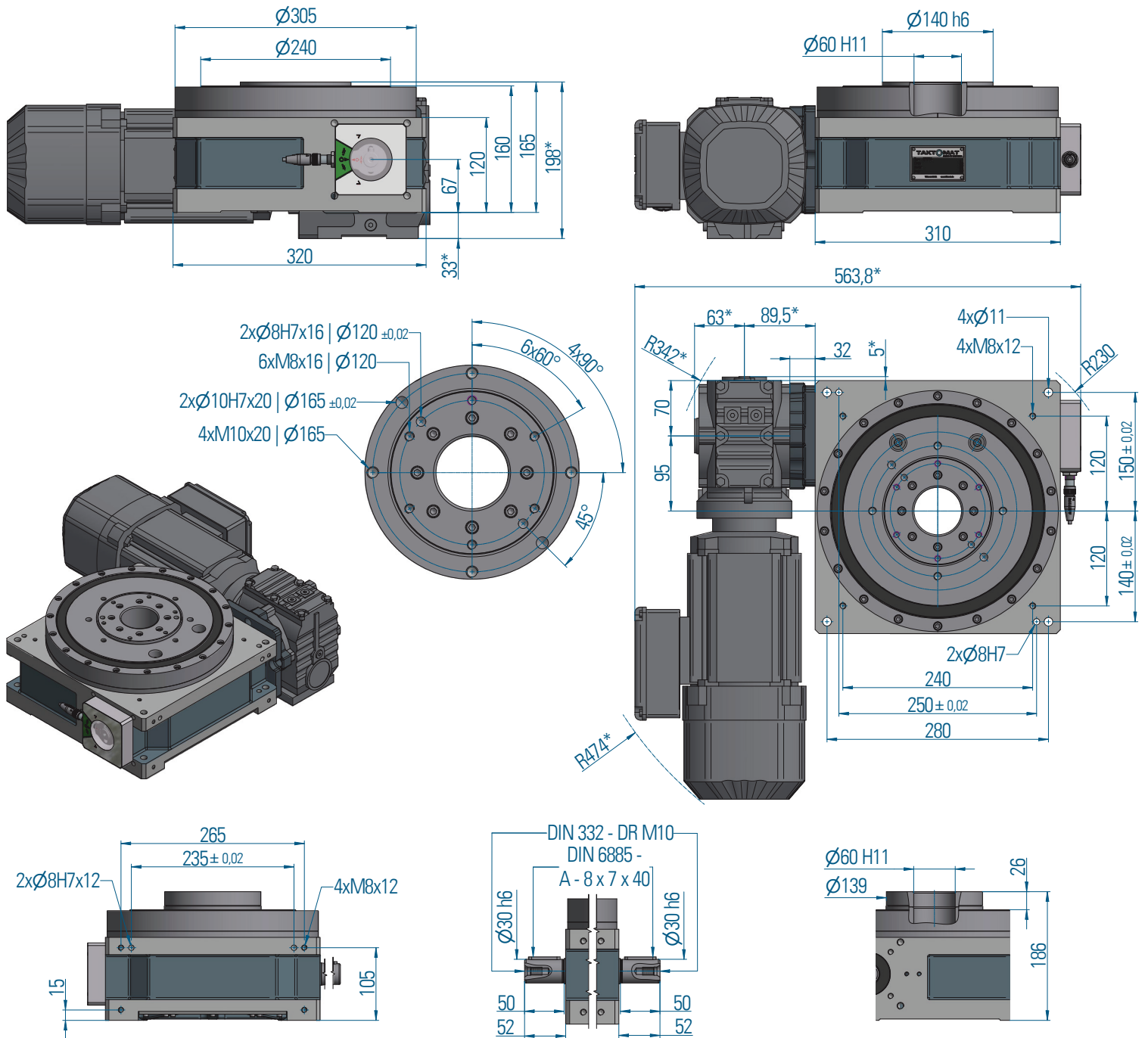
Speed	Step	1	2	3	4	5	6	7	8	9	10	11	12	13		
2	n															
	t		0,25	0,38	0,55	0,75	1,04	1,52	1,79	2,08	2,45	2,93	3,32	4,28		
	J _{Max}		2,23	5,20	10,98	20,52	39,56	84,52	117,24	158,02	218,73	313,67	402,85	669,83		
	J _L		0,65	1,77	4,22	8,68	18,49	44,31	64,56	91,01	132,28	200,24	267,00	479,16		
	J		0,19	0,51	0,30	3,05	3,03	6,77	18,59	38,56	63,19	67,10	99,76	140,48		
	3	t		0,23	0,35	0,55	0,71	1,00	1,42	1,77	1,98	2,26	2,76	3,13	4,05	
		J _{Max}		3,53	8,26	19,98	33,25	65,66	133,35	206,53	260,65	338,64	505,51	649,23	1089,56	
		J _L		1,09	2,94	8,16	14,68	32,13	72,59	120,06	156,90	212,02	336,11	448,18	812,91	
		J		0,40	0,63	0,83	8,91	17,97	13,74	27,40	95,60	61,93	51,41	78,82	426,00	
		4	t		0,22	0,31	0,49	0,66	0,92	1,33	1,66	1,94	2,12	2,44	2,93	3,58
			J _{Max}		3,05	6,23	15,01	28,18	54,04	113,00	175,02	241,42	286,97	379,36	550,19	819,40
	J _L			1,08	2,48	6,84	14,14	29,92	69,91	115,63	167,40	204,21	281,49	431,67	682,47	
	J			0,35	1,27	2,03	13,24	15,60	20,89	41,29	69,98	92,59	171,50	119,05	224,80	
	5	t		0,22	0,31	0,49	0,66	0,92	1,33	1,66	1,94	2,12	2,44	2,75	3,58	
		J _{Max}		4,16	8,48	21,02	37,91	73,43	153,55	237,82	328,05	389,94	515,47	655,96	1113,38	
J _L			1,48	3,39	9,66	19,06	40,78	95,28	157,59	228,13	278,29	383,61	506,13	930,03		
J			0,56	1,95	5,68	9,14	23,49	31,80	62,43	105,30	139,01	256,13	354,02	338,58		
6	t		0,22	0,33	0,49	0,67	0,92	1,27	1,58	1,86	2,03	2,59	2,93	3,58		
	J _{Max}		5,01	11,13	24,57	46,98	88,38	169,06	261,84	361,18	429,32	700,48	899,62	1339,79		
	J _L		1,91	4,82	12,01	25,33	52,41	110,53	182,80	264,62	322,81	566,83	755,81	1194,93		
	J		0,86	1,22	4,73	22,60	34,48	21,71	46,97	81,12	104,56	176,32	266,16	497,17		
8	t	0,20	0,22	0,33	0,49	0,66	0,92	1,33	1,66	1,94	2,07	2,44	3,07			
	J _{Max}	5,27	6,71	14,89	32,86	61,00	118,15	247,03	382,58	527,71	599,07	829,19	1314,39			
	J _L	2,15	2,84	7,13	17,74	36,16	77,36	180,67	298,80	432,53	500,44	727,30	1235,35			
	J	0,33	1,67	2,45	8,98	25,08	63,31	87,98	169,95	283,51	400,91	677,60	895,26			
10	t	0,20	0,23	0,33	0,48	0,66	0,87	1,27	1,58	1,86	2,03	2,59	2,93			
	J _{Max}	6,61	9,16	18,64	40,26	76,35	130,95	282,85	438,05	604,24	718,23	1171,84	1504,97			
	J _L	2,90	4,24	9,62	23,34	48,74	90,64	219,77	363,45	526,11	641,80	1126,91	1502,62			
	J	0,65	1,21	4,19	8,42	40,55	53,55	71,32	147,48	248,76	318,30	535,18	797,63			
12	t	0,20	0,22	0,33	0,49	0,66	0,92	1,33	1,66	1,94	2,12	2,40	2,93			
	J _{Max}	7,94	10,11	22,39	49,39	91,69	177,55	371,20	574,88	792,97	942,58	1208,51	1807,03			
	J _L	3,71	4,90	12,26	30,48	62,09	132,77	310,07	512,77	742,26	905,46	1205,02	1807,03			
	J	1,09	4,19	6,44	22,18	60,04	132,77	212,45	404,82	668,83	874,78	1048,87	1180,64			
16	t			0,17	0,23	0,32	0,47	0,64	0,76	0,89	1,03	1,24	1,40			
	J _{Max}			7,73	14,96	29,34	61,38	115,06	159,60	220,15	297,75	426,98	548,37			
	J _L			6,05	12,94	28,06	61,38	115,06	159,60	220,15	297,75	426,98	548,37			
	J			1,60	2,94	12,81	36,93	42,74	102,43	160,70	297,75	355,27	519,99			
20	t			0,16	0,23	0,32	0,44	0,64	0,76	0,89	0,97	1,22	1,40			
	J _{Max}			8,48	18,74	34,81	67,44	144,06	199,83	275,64	327,65	518,51	686,57			
	J _L			7,01	17,44	34,81	67,44	144,06	199,83	275,64	327,65	518,51	686,57			
	J			1,39	4,89	12,39	31,37	68,88	162,95	255,10	327,65	381,81	686,57			
24	t			0,16	0,23	0,32	0,44	0,64	0,76	0,91	0,97	1,22	1,41			
	J _{Max}			10,20	22,52	44,13	81,00	173,02	239,99	349,20	393,50	622,72	832,59			
	J _L			8,93	22,21	44,13	81,00	173,02	239,99	349,20	393,50	622,72	832,59			
	J			2,14	7,34	30,18	46,19	101,33	237,62	190,50	393,50	557,49	568,89			
30	t			0,16	0,23	0,32	0,44	0,64	0,76	0,91	0,97	1,22	1,38			
	J _{Max}			12,76	28,17	55,20	101,32	216,42	300,18	436,77	492,19	778,89	1000,32			
	J _L			12,00	28,17	55,20	101,32	216,42	300,18	436,77	492,19	778,89	1000,32			
	J			3,56	11,91	48,01	73,73	161,64	300,18	304,31	492,19	778,89	1000,32			
36	t			0,16	0,21	0,29	0,44	0,50	0,59	0,69	0,82	0,93	1,21			
	J _{Max}			15,00	27,87	53,99	118,92	160,00	220,71	298,50	428,05	549,75	914,08			
	J _L			15,00	27,87	53,99	118,92	160,00	220,71	298,50	428,05	549,75	914,08			
	J			5,14	12,70	31,63	104,04	160,00	220,71	157,11	428,05	549,75	914,08			

From n=16 The output flange steps
2 times per cam revolution

From n=36 The output flange steps
3 times per cam revolution

RTX750

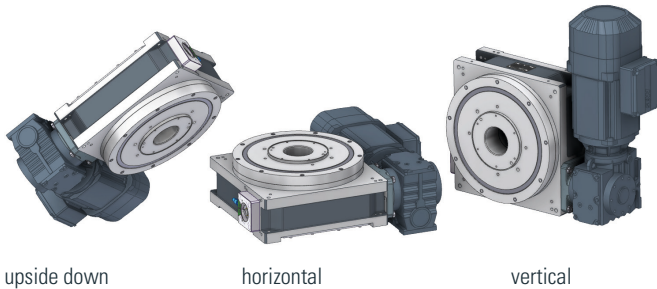
Main dimensions



* Dimensions depend on the used drive

RTX750

Fitting position

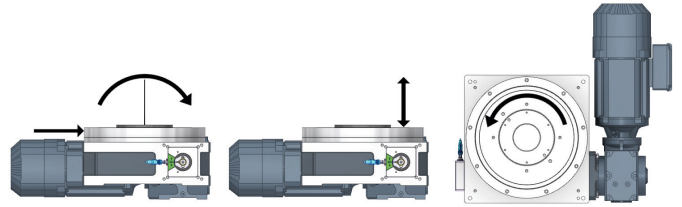


upside down

horizontal

vertical

Load on output flange



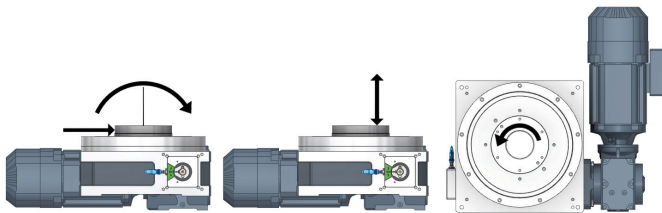
Radial force F_{rA} [kN] 20

Axial force F_{aA} [kN] 25

Torque on output flange [Nm] 1063

Tilting moment M_{kA} [kNm] 2,9

Load on central column



Radial force F_{rM} [kN] 3,8

Axial force F_{aM} [kN] 15

Torque on output flange [Nm] 200

Tilting moment M_{kM} [kNm] 0,95

Precision

Axial runout on the output flange \varnothing [mm]	0,01
Runout on the output flange \varnothing [mm]	0,01
Indexing accuracy * in angular seconds ["]	± 20

* Increased indexing accuracy accessible through selected components
 „From division 16, the division error due to multi-point locks on the drive cam is larger by a factor of 1.5“

Combined loads and possible process forces must be confirmed by TAKTOMAT.

Dimensions

Output flange \varnothing	[mm]	240
Overall height (output flange screw-on surface)	[mm]	160
Center opening \varnothing	[mm]	60
Recommended max. size of rotating plate \varnothing	[mm]	1800
Index table weight	[kg]	85
Number of indexes Other numbers on request	n	2, 3, 4, 6, 8, 10, 12, 16, 20, 24, 30, 36

Standard drive

Motor size		IEC71 / 80
Gear size (Center distance)		47 / 57
Voltage (other voltages on request)	[V]	230 / 400
Power	[kW]	0,18 – 2,2

RTX750 Load table



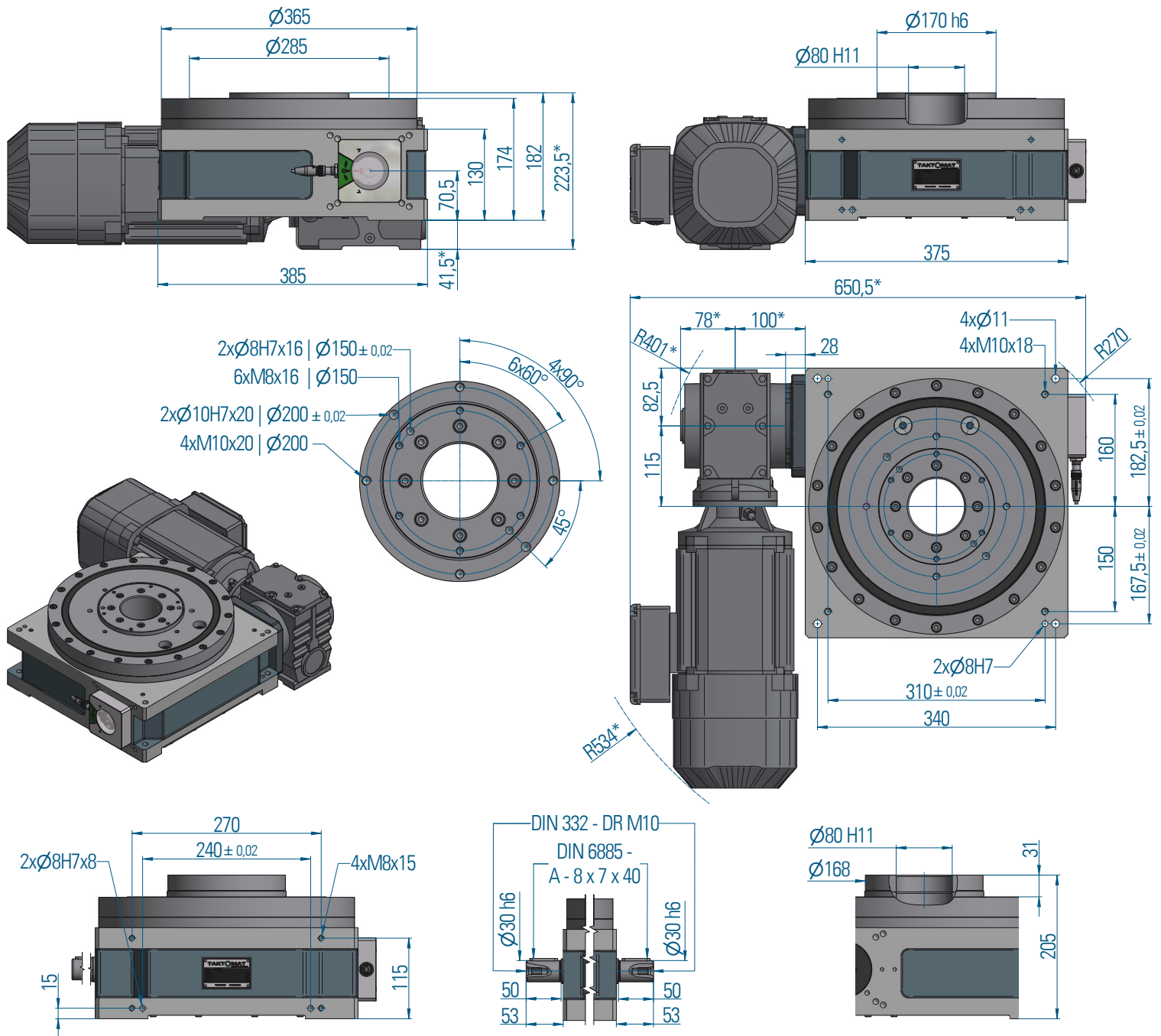
Speed	Step	1	2	3	4	5	6	7	8	9	10	11	12	13		
n n = Number of stops / 360° revolution of output flange t = Step time in [s] J _{Max} = Mass moment of inertia (base plate + fixtures and parts) in [Kgm²] Without motor and lifetime J _L = Mass moment of inertia by life time (base plate + fixtures and parts) in [Kgm²] J = Mass moment of inertia with motor (base plate + fixtures and parts) in [Kgm²]	2	t			0,34	0,60	0,71	1,06	1,42	1,76	2,10	2,37	3,12	3,55	4,17	
	J _{Max}				6,03	19,07	26,67	59,37	105,44	162,73	231,33	295,91	513,05	661,92	916,99	
	J _L				1,66	6,47	9,55	24,08	46,68	76,94	115,33	153,09	288,31	386,48	562,26	
	J				0,22	3,73	8,70	20,65	32,97	43,89	89,27	108,55	210,89	198,33	329,68	
	3	t				0,34	0,52	0,71	1,06	1,42	1,75	2,03	2,41	2,70	3,19	4,17
	J _{Max}					9,57	22,47	42,06	93,55	166,08	254,51	341,13	479,26	606,17	842,74	1443,88
	J _L					3,17	8,58	17,73	44,55	86,26	140,96	197,45	291,93	382,49	558,73	1037,84
	J					0,68	5,49	17,73	44,55	75,10	139,70	154,13	167,76	203,45	212,79	748,53
	4	t				0,32	0,49	0,67	0,86	1,36	1,57	1,68	1,97	2,45	2,93	3,91
	J _{Max}					12,25	28,73	53,75	88,99	222,85	298,19	341,48	465,30	724,09	1031,78	1844,05
	J _L					4,26	11,47	23,64	42,27	121,59	169,99	198,68	283,59	471,62	708,72	1381,96
	J					1,05	7,76	23,64	27,21	30,17	48,30	60,40	282,02	296,01	665,27	1042,05
	5	t				0,32	0,49	0,61	0,86	1,33	1,54	1,90	1,97	2,45	2,93	3,91
	J _{Max}					15,02	36,21	56,67	112,11	269,08	360,05	548,79	586,07	912,02	1299,55	2322,60
	J _L					5,68	15,76	26,42	57,97	158,75	221,93	360,36	388,66	646,32	971,21	1893,77
J					4,42	12,38	15,84	43,16	118,23	181,14	338,61	388,66	467,27	971,21	1640,19	
6	t				0,32	0,49	0,67	0,86	1,33	1,54	1,90	1,97	2,45	2,97	3,91	
J _{Max}					18,26	43,63	82,27	135,04	321,85	433,65	660,95	705,85	1098,40	1609,68	2797,22	
J _L					7,41	20,30	42,16	74,59	202,58	285,46	463,50	499,89	831,27	1290,10	2435,62	
J					4,51	18,12	42,16	62,98	202,58	263,35	463,50	499,89	679,15	1031,46	2377,78	
8	t				0,32	0,50	0,62	0,90	1,36	1,61	1,72	1,99	2,44	2,99	3,94	
J _{Max}					25,16	60,05	94,63	198,18	452,28	631,86	723,57	963,02	1459,38	2184,00	3795,20	
J _L					11,36	31,01	52,35	122,57	316,65	465,14	543,60	755,20	1218,09	1936,54	3656,01	
J					3,41	14,90	18,82	20,70	134,09	148,00	184,92	285,13	444,50	1258,35	2867,23	
10	t				0,32	0,50	0,62	0,88	1,18	1,61	1,72	1,99	2,44	2,99		
J _{Max}					31,52	77,34	118,48	237,62	426,68	790,98	905,79	1205,53	1826,86	2733,93		
J _L					15,35	43,20	70,59	157,20	308,23	626,85	732,58	1017,73	1641,50	2609,67		
J					5,83	15,76	31,11	55,54	90,66	242,26	301,53	462,25	719,86	2004,02		
12	t				0,33	0,43	0,62	0,90	1,18	1,61	1,72	1,99	2,44	2,99		
J _{Max}					39,52	67,05	142,31	297,97	512,43	949,92	1087,79	1447,75	2193,91	3283,21		
J _L					20,57	37,82	89,95	210,46	392,63	798,47	933,14	1296,34	2090,86	3283,21		
J					2,72	13,75	46,84	55,81	137,74	362,13	449,40	685,85	1067,19	2931,55		
16	t	0,17	0,23	0,33	0,46	0,63	0,77	0,89	1,02	1,34	1,50	2,04				
J _{Max}		13,88	26,39	51,64	105,19	190,98	292,65	389,52	509,6	871,03	1092,65	2025,85				
J _L		10,35	21,69	46,96	105,19	190,98	292,65	389,52	509,60	871,03	1092,65	2025,85				
J		2,58	1,7	7,96	22,47	39,45	76,01	115,32	249,13	701,43	973,6	2025,85				
20	t	0,17	0,26	0,33	0,48	0,63	0,77	0,89	1,04	1,35	1,50	2,04				
J _{Max}		17,42	42,42	64,7	137,6	239,22	363,92	484,37	661,64	1106,57	1368,56	2537,37				
J _L		13,99	38,97	63,32	137,60	239,22	363,92	484,37	661,64	1106,57	1368,56	2537,37				
J		4,3	6,95	13,24	26,75	64,43	76,6	116,31	196,99	767,59	1368,56	2537,37				
24	t	0,17	0,23	0,33	0,47	0,62	0,77	0,89	1,04	1,35	1,51	2,04				
J _{Max}		20,94	39,48	77,75	164,13	285,32	437,2	581,89	794,85	1329,33	1667,55	3048,14				
J _L		17,84	37,01	77,75	164,13	285,32	437,20	581,89	794,85	1329,33	1667,55	3048,14				
J		6,45	3,01	19,87	27,01	59,93	114,59	173,16	291,39	1118,22	1526,05	3048,14				
30	t	0,15	0,23	0,33	0,48	0,62	0,77	0,89	1,04	1,32	1,51	2,04				
J _{Max}		20,84	49,42	97,29	206,84	356,95	546,94	727,94	994,33	1594,13	2086,02	3813,07				
J _L		18,41	49,42	97,29	206,84	356,95	546,94	727,94	994,33	1594,13	2086,02	3813,07				
J		1,96	5,36	32,27	65,3	97,94	185,59	279,26	467,15	1594,13	2086,02	3813,07				
36	t	0,12	0,16	0,32	0,42	0,51	0,59	0,69	0,78	0,92	1,20	2,01				
J _{Max}		15,18	26,47	109,38	190,18	291,43	387,89	529,87	675,06	925,29	1596,33	4446,48				
J _L		15,18	26,47	109,38	190,18	291,43	387,89	529,87	675,06	925,29	1596,33	4446,48				
J		1,46	3,61	19,5	42,53	80,27	120,54	201,03	353,4	550,44	802,71	3629,7				

From n=16 The output flange steps 2 times per cam revolution

From n=36 The output flange steps 3 times per cam revolution

RTX900

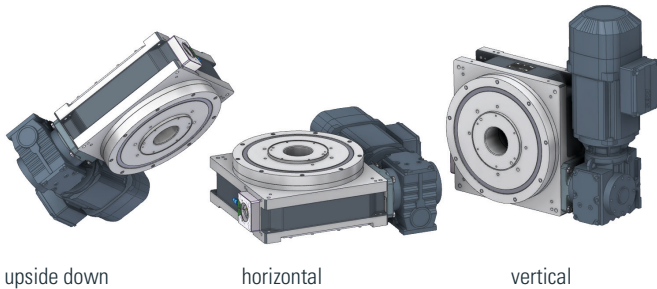
Main dimensions



* Dimensions depend on the used drive

RTX900

Fitting position

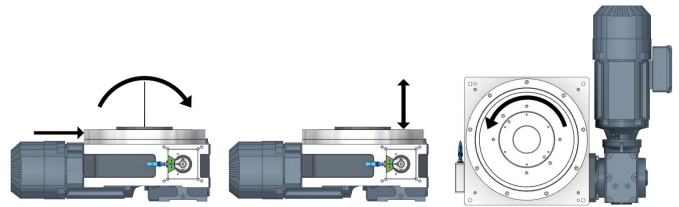


upside down

horizontal

vertical

Load on output flange



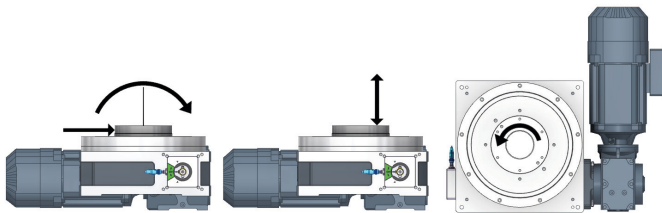
Radial force F_{rA} [kN] 22

Axial force F_{aA} [kN] 25

Torque on output flange [Nm] 1572

Tilting moment M_{kA} [kNm] 3,5

Load on central column



Radial force F_{rM} [kN] 7

Axial force F_{aM} [kN] 25

Torque on output flange [Nm] 450

Tilting moment M_{kM} [kNm] 2,2

Precision

Axial runout on the output flange \varnothing [mm]	0,01
Runout on the output flange \varnothing [mm]	0,01
Indexing accuracy * in angular seconds ["]	± 16

* Increased indexing accuracy accessible through selected components
 „From division 16, the division error due to multi-point locks on the drive cam is larger by a factor of 1.5“

Combined loads and possible process forces must be confirmed by TAKTOMAT.

Dimensions

Output flange \varnothing	[mm]	285
Overall height (output flange screw-on surface)	[mm]	174
Center opening \varnothing	[mm]	80
Recommended max. size of rotating plate \varnothing	[mm]	2200
Index table weight	[kg]	125
Number of indexes Other numbers on request	n	2, 3, 4, 6, 8, 10, 12, 16, 20, 24, 30, 36

Standard drive

Motor size		IEC71 / 90
Gear size (Center distance)		47 / 57
Voltage (other voltages on request)	[V]	230 / 400
Power	[kW]	0,25 – 3

RTX900 Load table

Speed	Step	1	2	3	4	5	6	7	8	9	10	11	12	13
n	t													
	J _{Max}													
2	t	0,48	0,56	0,75	1,07	1,50	1,86	2,14	2,46	3,11	3,48	4,34		
	J _{Max}	14,22	19,78	35,40	73,78	143,96	220,69	293,78	389,02	620,71	778,67	1209,43		
	J _L	4,27	6,31	12,47	29,20	63,15	103,29	143,57	198,34	339,51	440,68	731,27		
3	J	0,14	0,61	6,58	12,60	25,14	49,80	76,57	198,34	284,24	390,54	539,37		
	t	0,48	0,53	0,69	0,97	1,48	1,71	2,11	2,47	2,68	3,11	4,10		
	J _{Max}	22,93	28,38	48,88	96,83	224,32	300,20	457,63	625,16	739,55	995,41	1729,88		
4	J _L	8,17	10,48	19,71	43,42	114,30	159,84	259,63	371,71	450,96	634,68	1198,38		
	J	0,72	2,63	4,28	13,66	31,27	51,61	102,68	173,68	224,32	634,68	1198,38		
	t	0,32	0,49	0,61	0,91	1,33	1,63	1,74	2,01	2,47	2,92	4,01		
5	J _{Max}	15,55	36,57	57,29	127,22	270,58	405,97	464,92	618,83	937,86	1307,20	2473,53		
	J _L	6,50	17,60	29,57	74,17	176,78	281,92	329,51	457,83	738,55	1081,99	2252,94		
	J	0,59	7,01	8,85	20,74	104,72	136,37	169,34	258,87	405,35	947,13	1081,23		
6	t	0,32	0,49	0,65	0,90	1,25	1,60	1,71	1,98	2,45	2,76	3,62		
	J _{Max}	22,74	54,45	93,63	179,92	348,82	573,92	657,24	874,78	1346,56	1703,12	2928,34		
	J _L	9,16	25,22	47,15	100,07	214,38	380,14	444,28	617,28	1013,74	1328,17	2477,09		
8	J	1,12	6,59	10,60	17,03	28,68	118,41	148,04	232,18	276,64	333,49	794,00		
	t	0,32	0,45	0,64	0,90	1,25	1,68	1,79	1,98	2,45	2,67	3,62		
	J _{Max}	27,47	53,14	109,68	216,98	420,62	756,37	866,17	1054,76	1623,57	1920,58	3530,68		
10	J _L	11,89	25,54	58,91	129,22	276,74	543,50	635,19	796,70	1308,35	1587,20	3196,86		
	J	1,89	3,82	7,73	25,97	44,02	71,69	92,06	340,98	408,53	554,55	1165,34		
	t	0,32	0,45	0,64	0,90	1,25	1,68	1,79	2,07	2,42	2,76	3,56		
12	J _{Max}	36,20	71,22	146,93	290,59	563,25	1012,81	1159,82	1543,65	2108,54	2749,52	4585,24		
	J _L	17,37	37,96	87,43	191,66	410,34	805,79	941,71	1308,30	1872,65	2541,12	4575,57		
	J	2,14	7,99	16,05	50,55	86,57	142,25	180,58	285,15	490,78	916,40	1343,44		
16	t	0,32	0,45	0,64	0,89	1,25	1,68	1,82	1,98	2,45	2,76			
	J _{Max}	45,39	89,24	184,04	359,76	705,36	1268,30	1497,43	1768,57	2722,26	3443,02			
	J _L	23,53	51,34	118,14	255,46	554,15	1088,12	1317,11	1594,93	2619,06	3431,29			
20	J	4,16	13,98	28,00	44,85	146,11	241,64	476,55	1006,27	1225,58	1484,27			
	t	0,32	0,45	0,64	0,89	1,25	1,60	1,71	2,10	2,45	2,76			
	J _{Max}	54,56	107,24	221,10	432,18	847,29	1393,85	1596,16	2393,90	3269,89	4135,63			
24	J _L	30,07	65,53	150,72	325,84	706,76	1252,83	1464,14	2333,56	3269,89	4135,63			
	J	6,93	21,88	43,82	71,31	223,47	777,15	961,41	1142,81	1815,01	2200,78			
	t		0,25	0,31	0,45	0,65	0,81	0,93	1,09	1,24	1,39			
30	J _{Max}		43,57	71,04	147,82	305,98	468,90	624,13	852,57	1111,79	1392,40			
	J _L		38,93	68,32	147,82	305,98	468,90	624,13	852,57	1111,79	1392,40			
	J		2,52	36,17	69,49	41,39	81,30	124,48	206,76	369,77	1172,11			
36	t		0,24	0,33	0,43	0,65	0,75	0,95	1,17	1,19	1,39			
	J _{Max}		53,00	99,04	165,84	383,46	513,12	806,38	1236,32	1272,96	1744,82			
	J _L		50,83	99,04	165,84	383,46	513,12	806,38	1236,32	1272,96	1744,82			
48	J		2,94	20,97	27,74	69,59	108,70	311,54	751,28	1204,99	1744,82			
	t		0,24	0,33	0,43	0,65	0,77	0,93	1,09	1,24	1,45			
	J _{Max}		63,73	119,05	199,31	460,81	635,74	939,85	1283,82	1674,11	2294,65			
60	J _L		63,73	119,05	199,31	460,81	635,74	939,85	1283,82	1674,11	2294,65			
	J		5,01	8,01	42,17	105,20	240,76	304,40	498,33	875,07	1347,35			
	t		0,24	0,32	0,45	0,63	0,78	0,89	1,04	1,24	1,43			
72	J _{Max}		79,80	136,84	278,70	543,22	832,38	1075,99	1469,77	2094,81	2784,90			
	J _L		79,80	136,84	278,70	543,22	832,38	1075,99	1469,77	2094,81	2784,90			
	J		8,99	93,20	257,40	507,50	832,38	915,02	1469,77	1394,57	1530,10			
90	t			0,21	0,30	0,43	0,54	0,59	0,69	0,79	0,93	1,20		
	J _{Max}			72,80	148,38	307,13	470,67	573,16	782,97	1019,66	1397,65	2358,96		
	J _L			72,80	148,38	307,13	470,67	573,16	782,97	1019,66	1397,65	2358,96		
108	J			39,84	109,95	74,69	141,04	391,48	634,29	1019,66	1397,65	2358,96		

n = Number of stops / 360°
revolution of output flange
t = Step time in [s]

J_{Max} = Mass moment of inertia
(base plate + fixtures and parts) in [Kgm²]
Without motor and lifetime

J_L = Mass moment of inertia by life time
(base plate + fixtures and parts) in [Kgm²]

J = Mass moment of inertia with motor
(base plate + fixtures and parts) in [Kgm²]

From n=16 The output flange steps
2 times per cam revolution

From n=36 The output flange steps
3 times per cam revolution

Accessories

Universal Controller TIC



Features and user benefits

An index table can be controlled in many different ways. We have developed this universal control to provide our customers with a user-friendly tool for operating the rotary table requiring minimal effort on the operator's part.

- Cycle time optimization through accurately stopping the drive in Dwell
- Minimizing installation and hardware expenses
- Easy integration through fieldbus connection (ProfiNet, EtherCAT, Ethernet / IP) and integration aids (step by step instructions and video tutorial)
- Motor protection switch and mechanical or electronic contactors can be eliminated. Only line protection necessary.
- Fast, gentle gear brakes with emergency stop
- Safety functions STO, SS1, SLS for max. PL e (SIL 3) at STO
- Soft restart or after emergency stop
- Machine gently jog also possible for large tables
- Oscillation or rotation reversal without additional hardware possible
- Simple change of speed possible
- No brake wear, the brake only closes after emergency stop
- Monitoring the engine temperature
- Compact, space-saving design

Common applications

The universal control is the ideal solution for all three-phase motor-driven gears:

- Rotary indexers type RT, RTX and TT
- Rotary indexer TSR
- Globoidal index drives TG
- Parallel gears XP, TP and SP
- Linear transfer system type LFA

RTX Inquiry and order form for rotary indexers type RTX (1) – V1

Firm _____

Projekt- / order-no. _____

Contact person _____

Offer-no. _____

Telephone / Fax _____

Date _____

Index plate
 Diameter [mm] _____
 Depth [mm] _____
 Material or weight _____

Please visit our website at www.taktomat.de where you can download a program for calculating the rotary table data!

Fixtures and workpieces
 Quantity _____
 Mass/Station [kg] _____
 Reference diameter [mm] _____

Stop mode (fixed step time, variable dwell time)

Continuous mode (fixed step and dwell time)

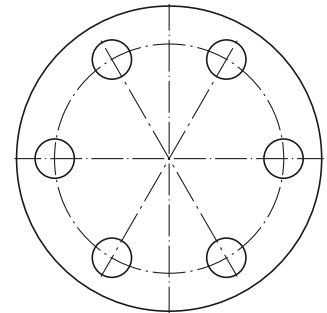
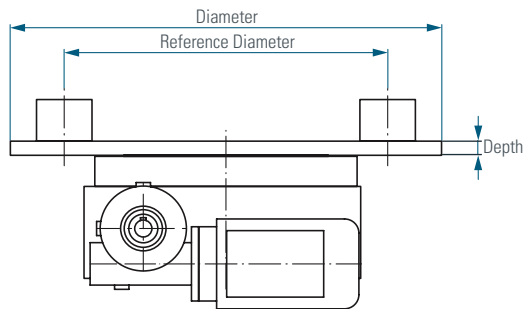
Required step time [s] _____

Required dwell time [s] (nur Durchlaufbetrieb) _____

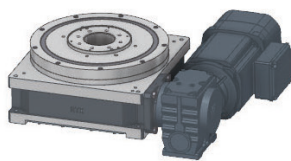
Number of cycles [1/min] _____

Required service life (actual cycle time, normal 12,000 h)

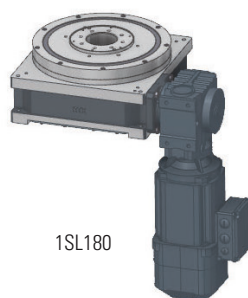
Additional forces and loads (please give details)



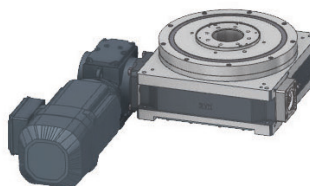
Possible mounting positions for the drive units



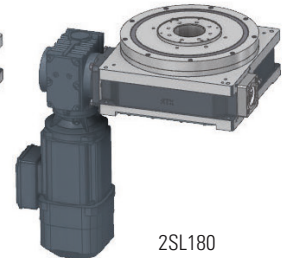
1SL90



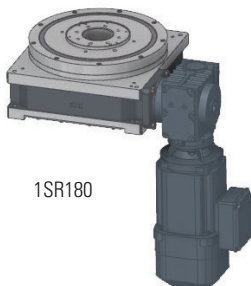
1SL180



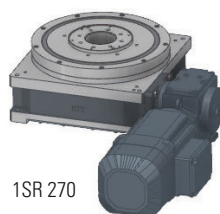
2SL90



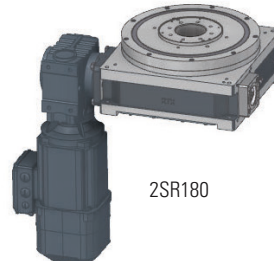
2SL180



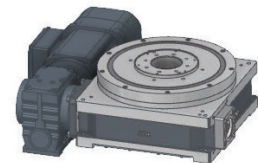
1SR180



1SR 270



2SR180



2SR270

RTX Inquiry and order form for rotary indexers type (2) – V1

Rotary indexer

Type RTX (350-900) _____

Number of stops _____

Index angle other than standard (see load table) _____

Mounting position (underneath) no. _____

Direction of rotation of output flange

Clockwise Counterclockwise Reverse

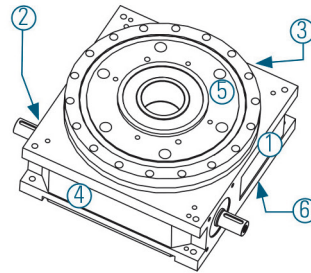
Cam lead Right (standard) Left

Standard central column Yes No

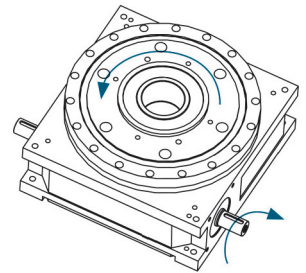
If No Extended by _____ mm

Standard hole pattern

Hole pattern as specified on drawing _____



possible mounting positions



Cam Lead Right (Standard)

Drive

With drive

Drive position (see page 1) _____

Terminal box position (see below) _____

Motor voltage 230/400-50 Hz

 Other voltage _____

Brake voltage 24V DC

 Other voltage _____

Manual release on brake Yes No

Motor Handwheel Yes No

Input Safety Clutch Yes No

Additional specifications (temperature sensor, connector assembly, brand...)

Without drive

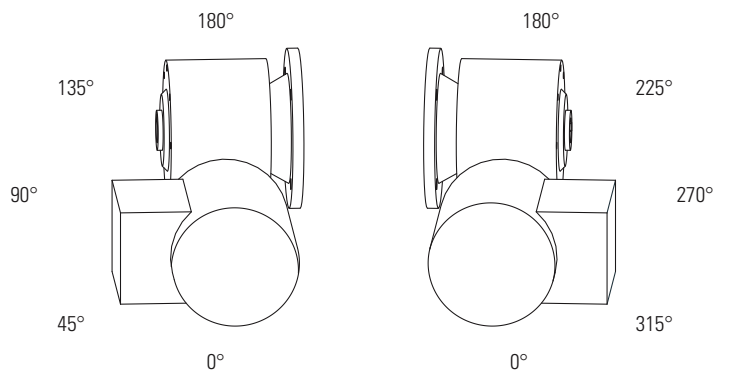
Direction of rotation of input shaft _____

Input shaft Ø _____ ; Length _____

Universal Controller TIC

Universal Controller TIC Yes No

Terminal box position



TAKTOMAT

passion for automation

Rudolf-Diesel-Str. 14 D 86554 Pöttmes Tel +49 (0)82 53-9965-0 Fax +49 (0)82 53-99 65-50
info@taktomat.com www.taktomat.com

