

TAKT MAT

passion for automation



Two-Achsis Units

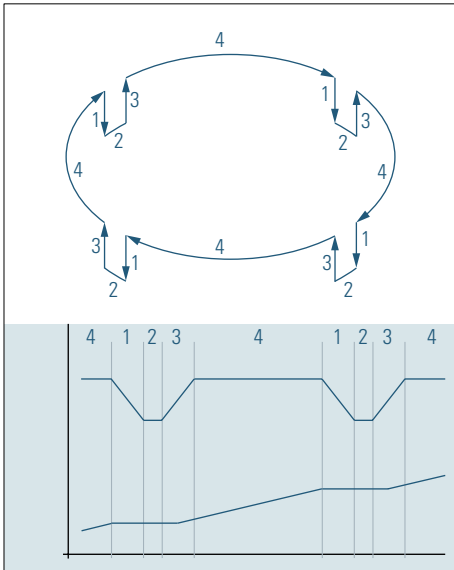
Series RH, GH, PH, AL, HDM and
Customized Solutions

Lift and Rotating Modules

possible courses of motion

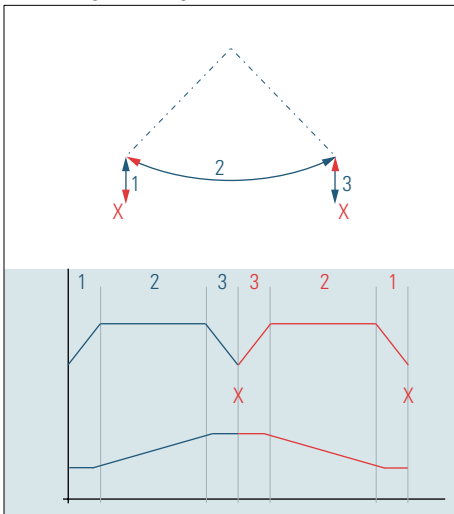
Lift and Rotating Module

Drive steppes in one direction



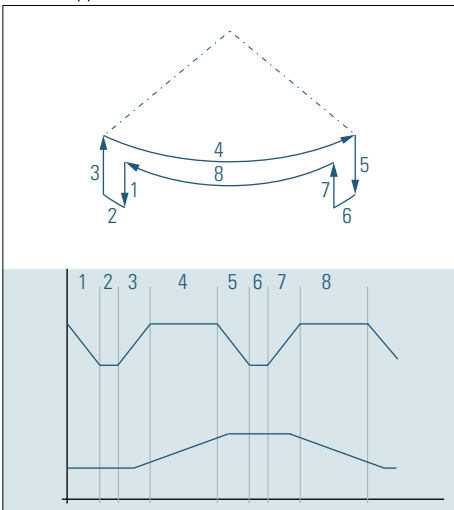
Lift and Rotating Module

Drive changes rotating direction at X



Pendulum-Lift-Module

Drive steppes in one direction



Series GH

- Common drive for lift and rotation
- Globoidal cam for rotation
- Disk cam for lift
- By globoidal cam you can variate the relation between lift and rotation in a big range
- Compact, durable module
- Maintenance-free oilfilling
- Through hole is possible



GH 100

Vertical stroke up to: 55mm
Rotation up to: 80°
Pendulum angle up to: 90°

Series RH

- Low-priced module
- Common drive for lift and rotation
- Barryl cam for rotation
- Disk cam for lift
- Compact, durable module
- Maintenance-free oilfilling
- Through hole is possible



RH 100

Vertical stroke up to: 30mm
Rotation up to: 90°
Pendulum angle up to: 60°

Series PH

- Common drive for lift and rotation
- Disk cam for rotation
- Barryl cam for lift
- Big torque by disk cam
- Compact, slim module
- Maintenance-free oilfilling
- Through hole is possible



PH 065 / PH 085

Vertical stroke up to: 40mm
Rotation up to: 180°
Pendulum angle up to: 90°

PH 105 / PH 110

Vertical stroke up to: 80mm
Rotation up to: 180°
Pendulum angle up to: 90°

Series RT+VT

- Extra drive for lift and rotation
- Suitable for all indexer sizes
- Disk cam for lift
- Indexer and lift gear can be synchronized by a timing belt drive
- Compact, durable module
- Maintenance-free oilfilling
- Through hole is possible



RT 100 + VT 30

Vertical stroke up to: 30mm
Rotation up to: 180°
Pendulum angle up to: 90° *

* bigger pendulum angle by changing the rotating direction of the drive

Lift and Rotating Modules

You give us your problem
We will design your solution with you

All modules are adjusted to the requirements of the application within their technical limits. With the combination options of cylinder curve, disk curve, disc groove curve, globoid curve, pneumatics and servo technology results in a giant construction kit, which we can turn into the perfect solution for you.

Series RT+VP

- Standard indexer for rotating
- Pneumatic cylinder for lifting
- Lifting and rotating are independent controlled from each other
- Compact, durable module
- Low-price module
- Through hole is possible



RT 100 +VP 300
Vertical stroke up to: 300mm
Rotation up to: 180°
Pendulum angle up to: 90° *
* bigger pendulum angle by changing the rotating direction of the drive

Series HDM

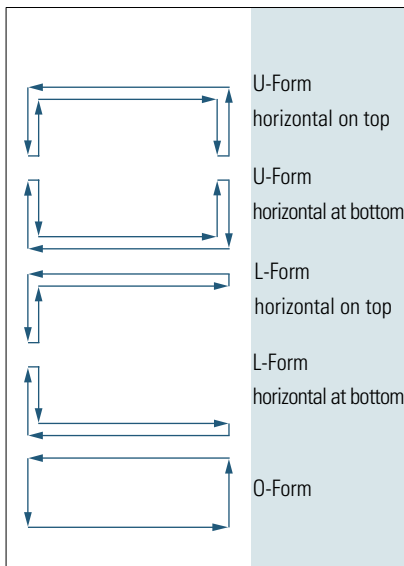
- Two different servo drives for lift and rotation
- vertical stroke and rotating angle free programmable
- Customized servo drives possible
- Course of motion controlled by servo
- Maintenance-free oilfilling
- Through hole is possible



HDM 30
Vertical stroke up to: 30mm
Rotation: free

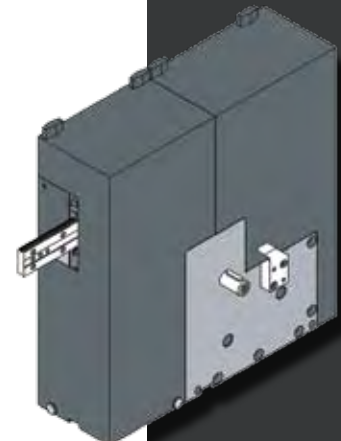
Linear-Modules

possible courses of motion



Series AL

- Common drive for lift and rotation
- Disk cam for rotation
- Disk cam for lift
- vertical stroke protected by spring
- Compact, flat module
- Many variations in courses of motion
- You can connect several modules by a common shaft



AL 80
Vertical stroke up to: 35mm
Horizontal stroke up to: 80mm

TAKTOMAT

passion for automation

Rudolf-Diesel-Str. 14 D 86554 Pöttmes Tel +49 (0)82 53-99 65-0 Fax +49 (0)82 53-99 65-50
info@taktomat.de www.taktomat.de

In Cooperation with:

Motion
INDEX DRIVES, INC.