

TAKT MAT

passion for automation



Rotary Index Tables

Typ TT

Going full-pitch

– for a good turn



Passion for Automation

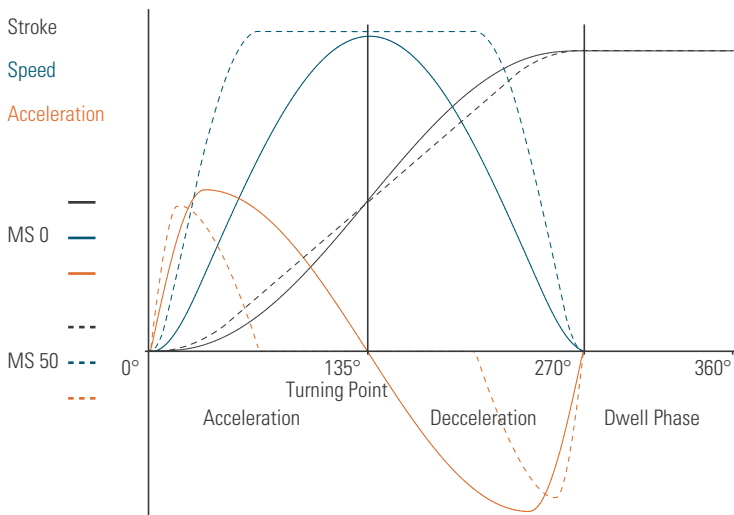
... this motto sums up our company philosophy and our overall approach toward business. Our broad product range forms the basis for our highly individual and customized solutions. That basis also includes the full range of drives available to the market: Barrel cams, Flat cams, Globoidal cams and servo technology.



The sky is the limit for the Taktomat product line. Flexible, made-to-order custom designs which are not featured in the product catalog have long been embedded in our corporate philosophy. We keep 10% of our entire workforce in reserve for these custom applications. Our skilled staff are available to assist our customers on a daily basis.

Our drives meet the highest standards regarding quality and precision. Our cams are manufactured in a different manner with regards to our competition, therefore it is often possible to use smaller rotary table sizes supplied by Taktomat instead of larger ones supplied by our competitors.

Our extensive design expertise enables us to meet customer requirements down to the last detail. We can combine the advantages of different forms of drives to create new value-added solutions which fit the bill completely. This is the added value which we have been offering to our customers in different sectors for many years.



The rotary index table – design and mode of operation

The rotary table converts a uniform input motion into an intermittent output motion. The intermittent output motion is transmitted through our induction-hardened, precision-machined barrel cam. Mathematical laws of motion are applied to create a soft, smooth, zero-impact movement which is ideally tailored to the operation for any given case. Our design and construction results in a positive fit and zero-backlash positioning of the output flange (Tool mounting surface).

No further locking device is required on the output flange. Additional locking devices can lead to forced positioning which can ruin the index table over the long-term.

The force is transmitted through the index table input shaft either by a three-phase brake motor with worm gearing or by a chain wheel or belt pulley. This is mounted to the barrel cam without any further gear stages and in turn rotates the star wheel and cam followers together with the output flange.

The output flange rotates on bearings which are free of play and backlash. Custom-dimensioned shaft sealing rings form an internal and external seal on the index table.

Advantages for design engineers and special machine builders

- Housing machined on all sides. Suitable for use in any mounting position required.
- Mounting holes identical on top and bottom
- Large center through-hole which is large enough to feed entire shafts through, and not just small wiring looms.
- Dowel holes in housing and in output flange
- Recessed center column. No obstruction. Lengthened and machined to customer requirements
- Simultaneously rotating input shaft extension. Optional synchronization of other mechanical modules

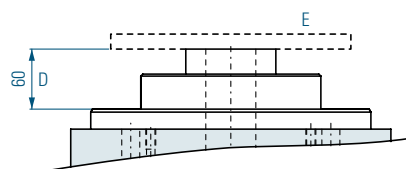
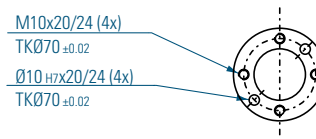
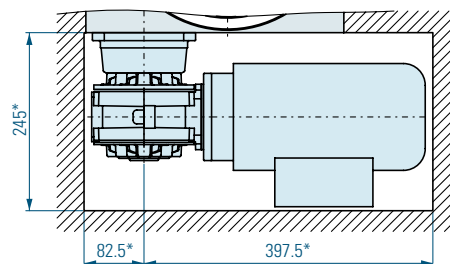
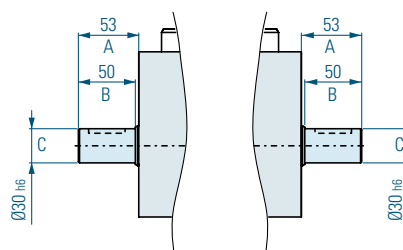
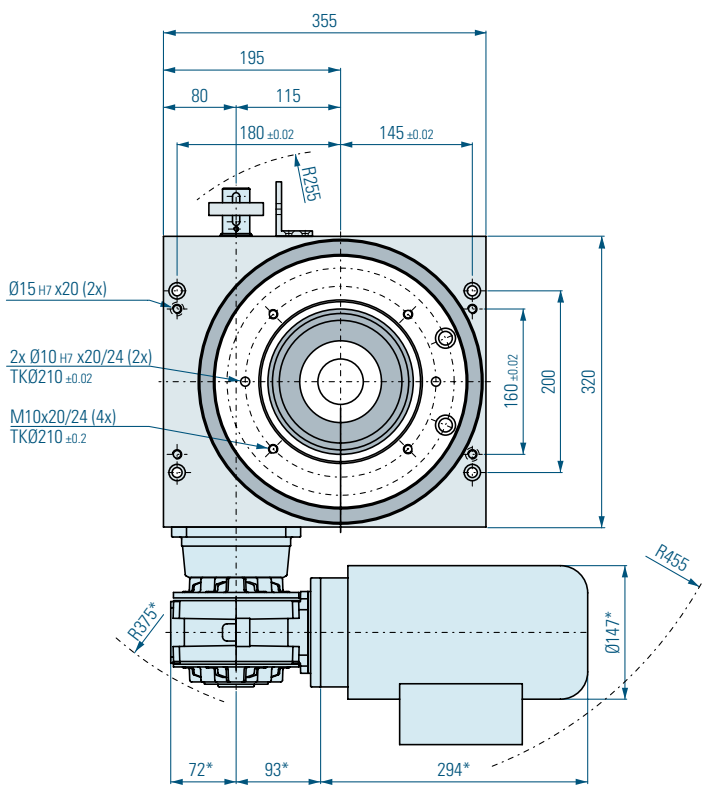
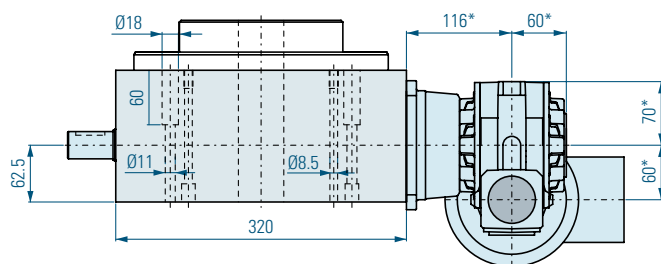
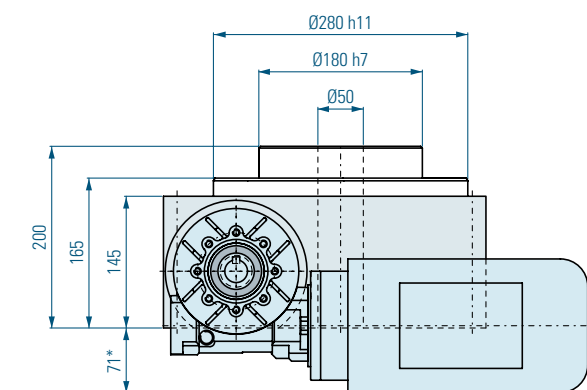
Allowance for individual customer requirements

- Choice of drive
- Reinforced output flange bearing for higher tilting moment
- Optional friction clutch on drive
- Dwell and step angle can be tailored to requirements
- All sizes also available as NC index tables
- Custom specified color at no extra charge

Technical benefits for users

- High reliability and long service life
- Robust method of construction
- Induction-hardened cams: smaller sizes for higher load factors
- Needle or roller bearings fully immersed in oil bath. No wear
- Completely maintenance-free
- Completely wear-free when used with optional universal control TIC (Taktomat Index Controller)

TT250



longered central column
(as an option)

Dimensions

* Dimensions depend on the used drive

The dimensions shown here are the standard dimensions. The output flange, central column, housing and input shafts can be machined to your specifications.

The central column can also be designed as a flange.

Should you wish to drill additional holes, please consult us with regard to acceptable drilling depth.

⚠ Caution! Do not drill right through the housing.

⚠ Please note that the opening for mounting the drive varies depending on the size of the drive.

A = Length of input shaft

B = Length of shaft to collar

C = Diameter of input shaft

D = Height of central column to supporting surface on output flange, standard is -0,5mm

E = Flange plate as an option

Load Table TT250

Speed		1	2	3	4	5	6	7	8	9	10	11	12
n													
2	t			0,57	0,76	1,07	1,52	1,87	2,13	2,37	2,90	3,33	4,27
	J			3,90	4,78	9,38	19,14	28,86	37,51	46,31	69,55	91,58	150,05
3	t			0,54	0,71	1,00	1,43	1,75	2,00	2,22	2,72	3,13	
	J			6,80	10,39	20,37	41,58	62,70	81,49	100,61	151,09	198,95	
4	t		0,32	0,48	0,64	0,90	1,29	1,58	1,80	2,00	2,45	2,81	
	J		3,42	7,71	11,78	23,09	47,12	71,06	92,35	114,01	171,22	225,45	
5	t		0,32	0,48	0,64	0,90	1,29	1,58	1,80	2,00	2,45	2,81	
	J		4,33	9,75	17,32	33,94	69,27	104,47	135,77	167,62	251,73	331,47	
6	t		0,32	0,48	0,64	0,90	1,29	1,58	1,80	2,00	2,45		
	J		5,90	13,29	23,61	46,28	94,44	142,44	185,11	228,53	343,21		
8	t		0,32	0,48	0,64	0,90	1,29	1,58	1,80				
	J		9,34	21,02	37,34	73,19	149,37	225,27	292,76				
10	t		0,32	0,48	0,64	0,90	1,29	1,58	1,80				
	J		12,95	29,16	51,81	101,55	207,24	312,56	406,20				
12	t		0,32	0,48	0,64	0,90	1,29	1,58	1,80				
	J		16,63	37,44	66,51	130,35	266,03	401,21	521,41				
16	t	0,24	0,32	0,45	0,64	0,79	0,90	1,00	1,23				
	J	10,51	18,67	36,59	74,68	112,63	146,38	180,71	271,40				
20	t	0,24	0,32	0,45	0,64	0,79	0,90	1,00	1,23				
	J	14,58	25,91	50,77	103,62	156,28	203,10	250,74	376,57				
24	t	0,24	0,32	0,45	0,64	0,79	0,90	1,00	1,23				
	J	18,72	33,25	65,18	133,01	200,61	260,71	321,86	483,38				
30	t	0,24	0,32	0,45	0,64	0,79	0,90	1,00					
	J	24,91	44,26	86,75	177,04	267,01	347,00	428,40					
36	t	0,16	0,21	0,30	0,43	0,53	0,60	0,67	0,82	0,94			
	J	12,48	22,17	43,45	88,68	133,74	173,80	214,57	322,25	424,33			

Main Dimensions

Output Flange Ø [mm]	280
Overall Height [mm]	165
Center Opening Ø [mm]	50
Recom. max. size of rotating plate Ø [mm]	2000
No. of Indexes 2, 3, 4, 6, 8, 10, 12, 16, 20, 24, 30, 36 (other numbers on request)	
Index Table wight [kg]	77
Direction clockwise, counterclockwise, reversing	
Fitting Position	arbitrary

Load on output flange

Axial force [kN]	23
Radial force [kN]	24
Tilting moment [kNm]	2
Load on Central column	
Axial force [kN]	12
Tilting moment [kNm]	2
Precision	
Index precision ["] *	±30
Axial Runout [mm]	±0,01
Radial Runout [mm]	±0,01

Standard Drive

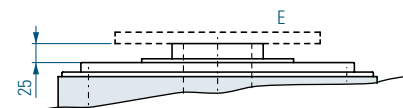
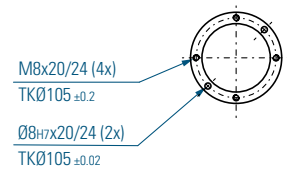
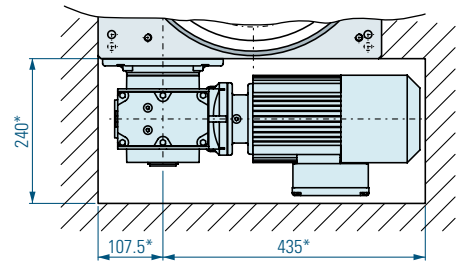
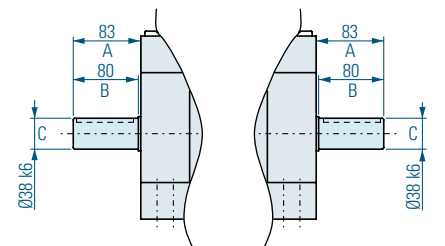
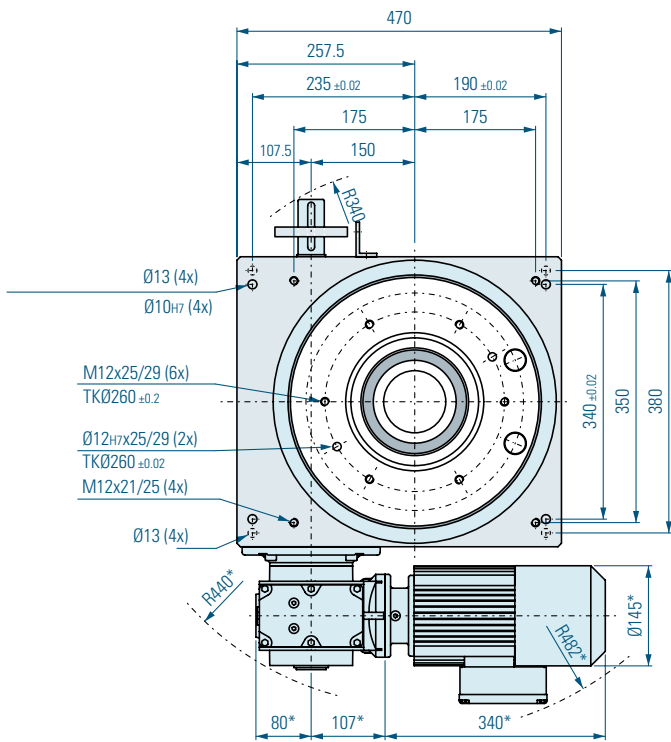
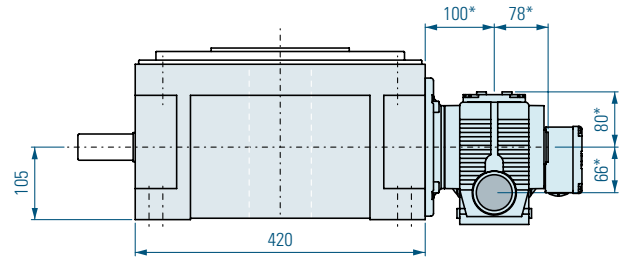
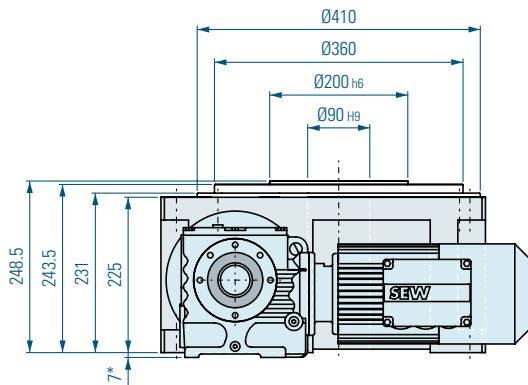
Motor	Kobold/SEW
Gear unit	FRS60/70
Motor size	IEC71-90
Voltage [V]	230/400
Power [kW]	0,25-1,5

* The error in index precision is greater by a factor of 1.5 at 16 or more indexes due to multiple dwell on the drive cam.

Higher partial accuracies can also be achieved by agreement.

TT315

This rotary index table is identical to the former RT315



longer central column
(as an option)

Dimensions

* Dimensions depend on the used drive

The dimensions shown here are the standard dimensions. The output flange, central column, housing and input shafts can be machined to your specifications.

The central column can also be designed as a flange.

Should you wish to drill additional holes, please consult us with regard to acceptable drilling depth.

⚠ Caution! Do not drill right through the housing.

⚠ Please note that the opening for mounting the drive varies depending on the size of the drive.

A = Length of input shaft

B = Length of shaft to collar

C = Diameter of input shaft

D = Height of central column to supporting surface on output flange, standard is -0,5mm

E = Flange plate as an option

Load Table TT315

Speed		1	2	3	4	5	6	7	8	9	10	11	12
n													
2	t		0,38	0,59	0,78	1,13	1,56	1,77	2,06	2,38	2,97	3,27	4,13
	J		2,65	9,8	16,5	45	89	115	180	210	348	463	630
3	t		0,36	0,54	0,73	1	1,49	1,65	1,94	2,23	2,79	3,07	3,87
	J		5,3	20	33	92	175	238	365	427	698	940	1270
4	t	0,24	0,32	0,5	0,65	0,95	1,34	1,48	1,75	2	2,51	2,76	3,48
	J	2,95	7	23	42	102	225	295	420	552	920	1190	1650
5	t	0,24	0,32	0,5	0,65	0,95	1,34	1,48	1,75	2	2,51	2,76	3,48
	J	4,4	10,5	33	61	152	325	415	598	825	1370	1720	2450
6	t	0,24	0,32	0,5	0,65	0,95	1,34	1,48	1,75	2	2,51	2,76	3,48
	J	6,45	14,5	46	81,5	178	440	550	790	1095	1850	2320	3520
8	t	0,24	0,32	0,5	0,65	0,95	1,35	1,48	1,75	2	2,45	2,8	
	J	11,5	23,5	67	123	295	660	815	1220	1650	2610	3560	
10	t	0,24	0,32	0,5	0,65	0,95	1,35	1,48	1,78	2,05	2,45	2,84	
	J	16,5	33,2	90,5	167	395	890	1130	1570	2300	3460	4850	
12	t	0,24	0,32	0,5	0,65	0,95	1,35	1,51	1,78	2,17	2,48		
	J	22,1	42,5	110	216	510	1100	1420	2170	3025	4400		
16	t			0,25	0,33	0,47	0,67	0,74	0,88	1	1,21		
	J			47	81	206	375	455	645	720	1250		
20	t			0,25	0,33	0,47	0,67	0,74	0,89	1	1,24		
	J			64	110	230	460	570	760	1065	1520		
24	t			0,25	0,33	0,47	0,67	0,76	0,91	1,1	1,37		
	J			78	133	257	560	710	995	1340	2310		
30	t			0,25	0,33	0,47	0,72	0,78	0,9	1,1	1,37		
	J			95	163	345	790	940	1270	1910	2880		
36	t			0,25	0,37	0,5	0,71	0,93	1,18	1,48			
	J			113	253	451	940	1610	2380	4190			

Main Dimensions

Output Flange Ø [mm]	360
Overall Height [mm]	243,5
Center Opening Ø [mm]	90
Recom. max. size of rotating plate Ø [mm]	2800
No. of Indexes 2, 3, 4, 6, 8, 10, 12, 16, 20, 24, 30, 36 (other numbers on request)	
Index Table wight [kg]	193
Direction clockwise, counterclockwise, reversing	
Fitting Position	arbitrary

Load on output flange

Axial force [kN]	32
Radial force [kN]	17
Tilting moment [kNm]	5

Load on Central column

Axial force [kN]	28
Tilting moment [kNm]	4

Precision

Index precision ["] *	±22
Axial Runout [mm]	±0,01
Radial Runout [mm]	±0,01

Standard Drive

Motor	Kobold/SEW
Gear unit	SAF57/67
Motor size	IEC80-100
Voltage [V]	230/400
Power [kW]	0,37-3,0

* The error in index precision is greater by a factor of 1.5 at 16 or more indexes due to multiple dwell on the drive cam.

Higher partial accuracies can also be achieved by agreement.

Universal Controller TIC

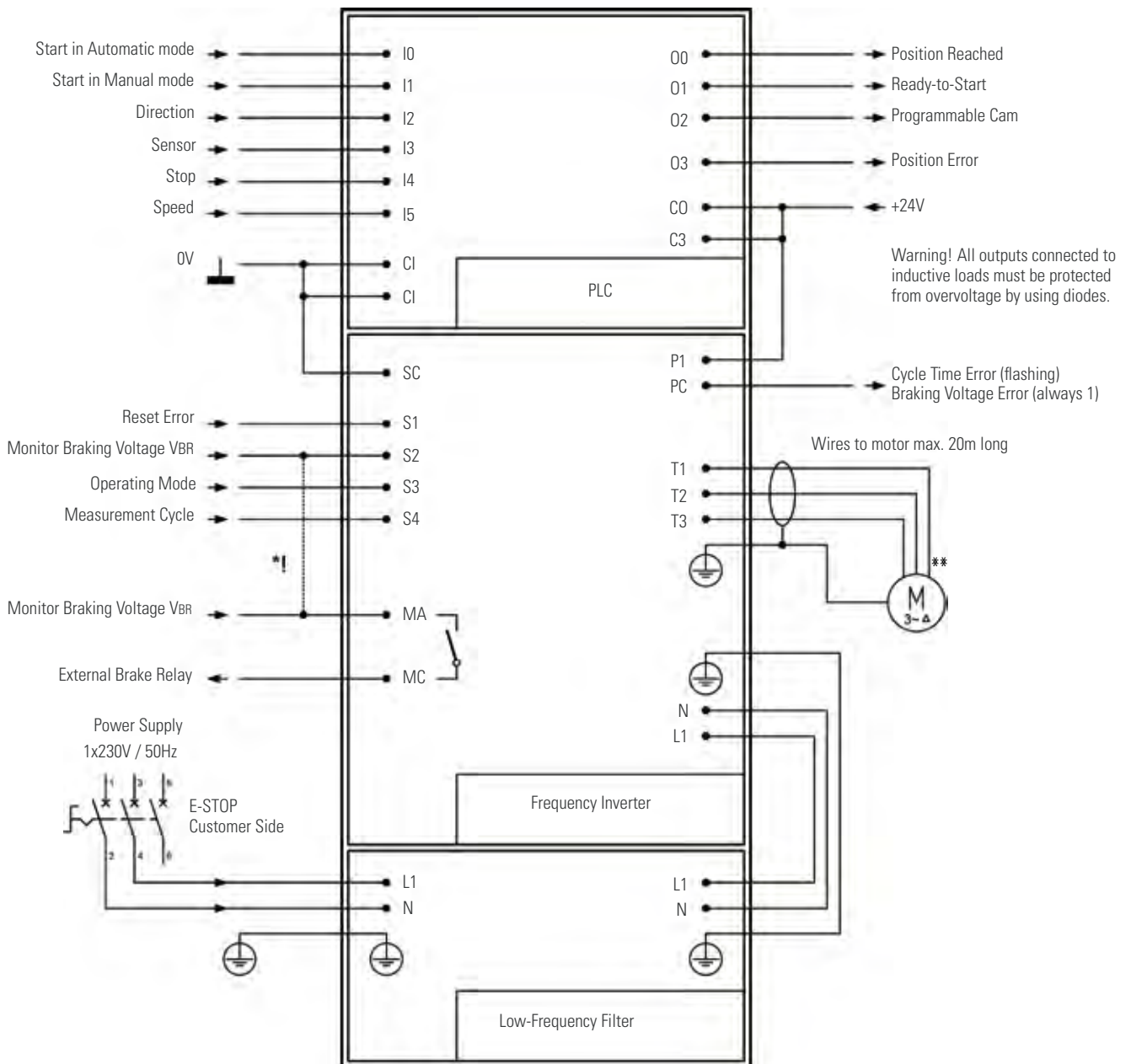
Your Advantages

An index table can be controlled in many different ways. We have developed this universal control to provide our customers with a user-friendly tool for operating the rotary table requiring minimal effort on the operator's part.

- Cycle time optimization is a result of stopping the drive exactly at the end of the dwell phase. The machine control receives the "enable" signal for the external processes as soon as the dwell phase begins. Elimination of time losses typically caused by mechanical contactors and variable PLC cycle times.
- Reduced installation and hardware costs.
- Motor contactor switches and mechanical or electronic contactors can be omitted. Only wiring protection is required.
- Single phase motor operation up to 2 kW possible.
- Fast, friction-free braking for emergency stop conditions.
- Gentle (soft) restart from intermediate positions or from an emergency stop.
- Soft and wear-free manual operation possible.
- Oscillating or change in direction of rotation possible without additional hardware.
- Speed can be easily changed.
- No frictional braking. The brakes only engage and lock after an emergency stop.
- When the TIC is used the rotary index table requires no maintenance.
- Short start-up times result, as the rotary index table software has already been initialized and integrated into the controller.
- Simple hand-shaking with the customer control unit (only start, stop & error signals).
- Simple interface between machine and rotary index table means quick error analysis via the telephone saving time and expensive servicing.



Schematic for single phase model



*!! Warning! If using brakes with a supply voltage of 230VAC or 400VAC, a jumper is NOT allowed between MC and S2. In this case S2 must be connected directly to +24V DC. Braking voltage monitoring is then no longer possible. Hence we strongly recommend a 24V DC brake when using this rotary index table.



** If a standard 230/400VAC three phase electric motor is interfaced to our single phase rotary index table controller TIC, a delta connection must be used. Please refer here to the description on the motor terminal block.

Inquiry and order form for rotary table type RT (1)

Firm _____ E-Mail Address _____
 Contact person _____ Project no. / Order no. _____
 Tel. / Fax _____ Date _____

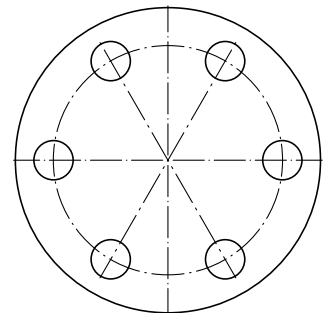
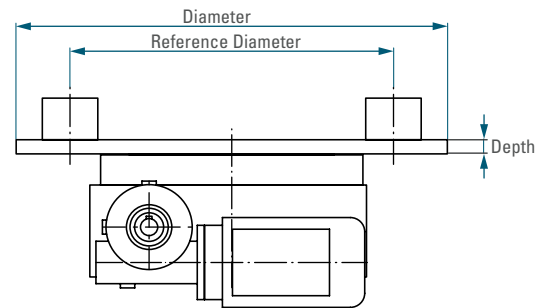
Index plate Diameter [mm] _____
 Depth [mm] _____
 Material or weight _____

Fixtures and workpieces Quantity _____
 Mass/Station [kg] _____
 Reference diameter [mm] _____

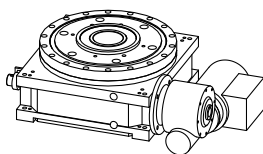
- Stop mode (fixed step time, variable dwell time)
 Continuous mode (fixed step and dwell time)
 Required step time [s] _____
 Required dwell time [s] (continuous mode only) _____
 Number of cycles [1/min] _____
 Required service life (actual cycle time, normal 12,000 h)

 Additional forces and loads (please give details)

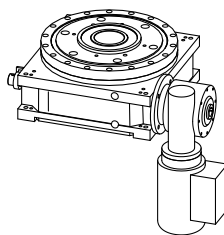
Please visit our website at www.takomat.de where you can download a program for calculating the rotary table data!



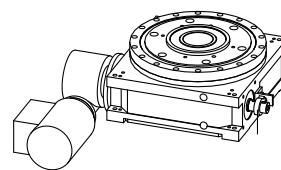
Possible mounting positions for the drive units



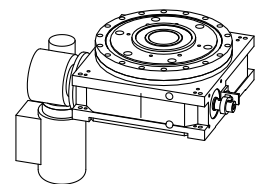
1SL90



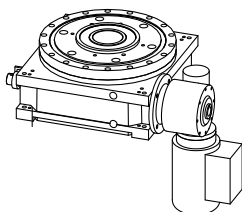
1SL180



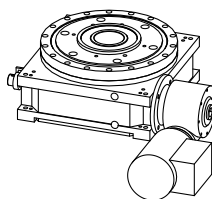
2SL90



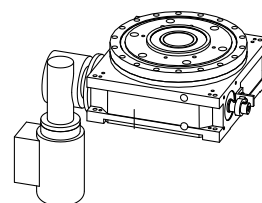
2SL180



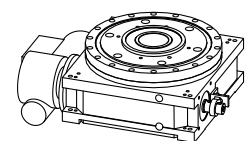
1SR180



1SR270



2SR180



2SR270

Inquiry and order form for rotary table type RT (2)

Index Table

Type RT (100-630) _____

Number of stops _____

Index angle other than standard (see load table) _____

Mounting position (underneath) no. _____

Direction of rotation of output flange

Clockwise Counterclockwise Reverse

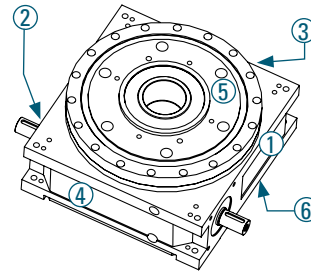
Cam lead Right (standard) Left

Standard central column Yes No

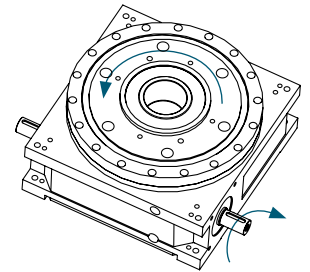
If No Extended by _____ mm

Standard hole pattern

Hole pattern as specified on drawing _____



possible mounting positions



Cam Lead Right (Standard)

Drive

With drive

Drive position (see page 1) _____

Terminal box position (see below) _____

Motor voltage 230/400-50 Hz
Other voltage _____

Brake voltage 24V DC
Other voltage _____

Manual release on brake Yes No

Motor Handwheel Yes No

Input Safety Clutch Yes No

Additional specifications (temperature sensor, connector assembly, brand...)

Without drive

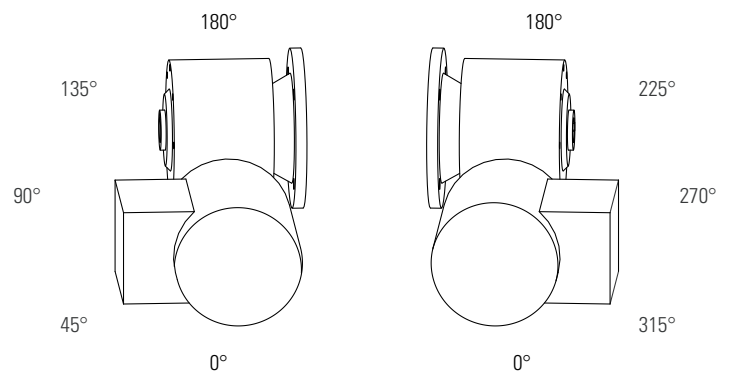
Direction of rotation of input shaft _____

Input shaft Ø _____ ; Length _____

Universal Controller TIC

Universal Controller TIC Yes No

Terminal box position



TAKTOMAT

passion for automation

Rudolf-Diesel-Str. 14 D 86554 Pöttmes Tel +49 (0)82 53-99 65-0 Fax +49 (0)82 53-99 65-50
info@taktomat.de www.taktomat.de

In Co-operation with:

Motion
INDEX DRIVES, INC.