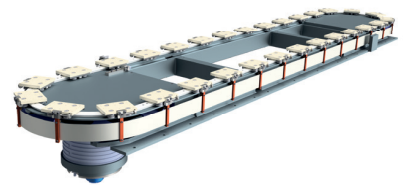
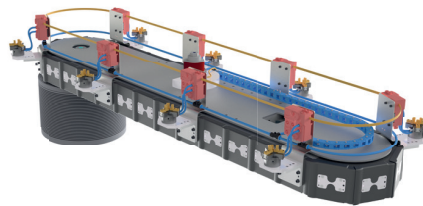
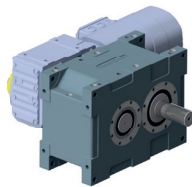
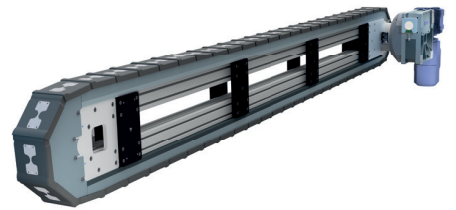
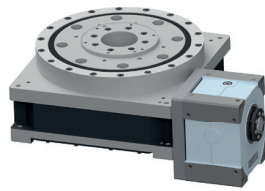
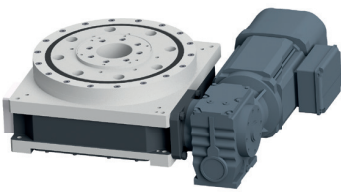
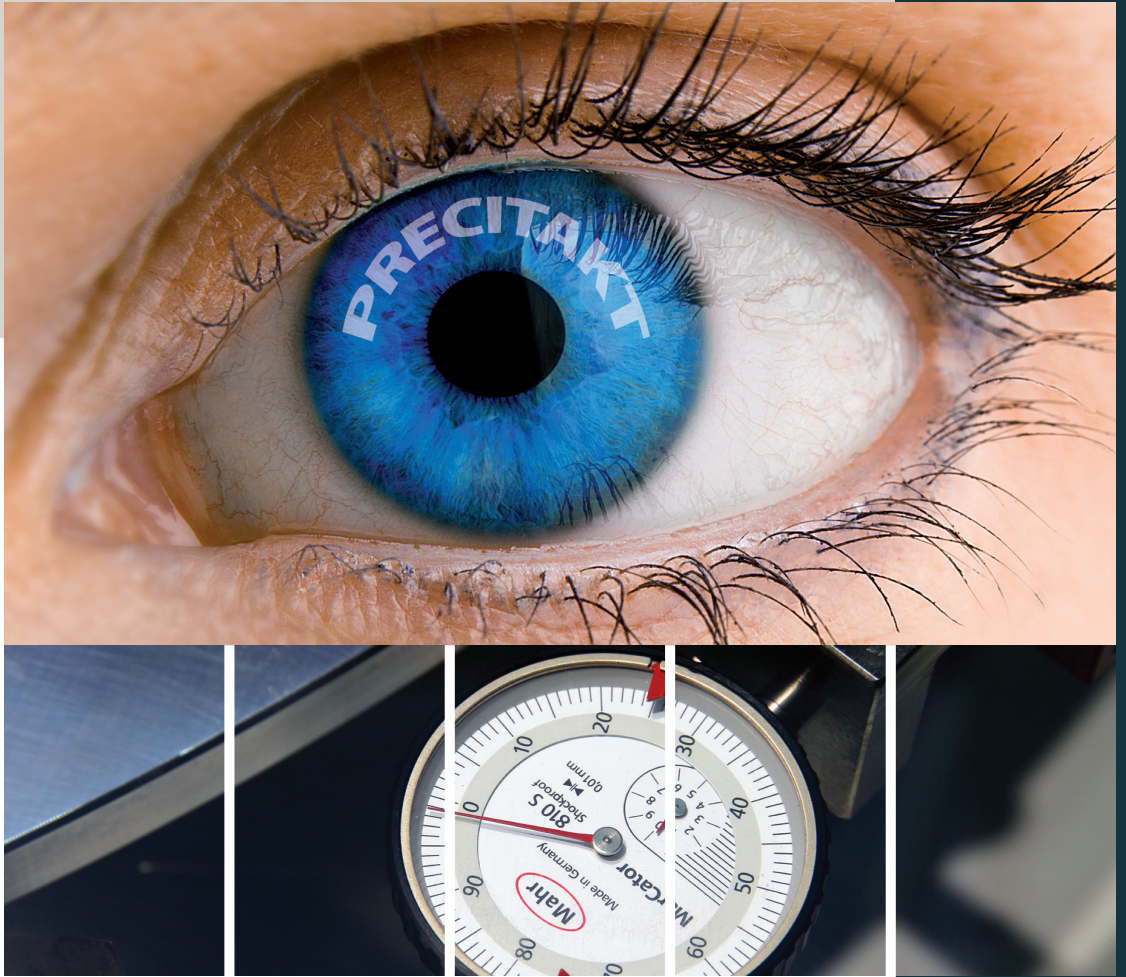


TAKTOMAT

passion for automation



Product overview



TAKTOMAT

passion for automation

PRECITAKT – accuracy can be planned

The rotary table converts a uniform input motion into an intermittent output motion. The intermittent output motion is transmitted through our induction-hardened, precision-machined barrel cam. Mathematical laws of motion are applied to create a soft, smooth, zero-impact movement which is ideally tailored to the operation for any given case. Our design and construction results in a positive fit and zero-backlash positioning of the output flange.

The accuracy produced with the new TAKTOMAT-PRECITAKT rotary indexing tables can be "planned". And even more importantly, it can be "reproduced". Using a measuring technique developed by TAKTOMAT, it is possible to integrate the base plate and the work piece holder. This creates, for the first time, a rotary table AND customer design in one unit that offers indexing accuracy better than 10 angular seconds, irrespective of the customer design and size of the rotary table.

This procedure is an example of the precision patented by TAKTOMAT.

As a supplier, TAKTOMAT is a flexible partner for industrial automation and responds to the challenges of multiple industries with customized solutions. Our qualified and motivated employees form the foundation of TAKTOMAT.

Customer orientation

TAKTOMAT is flexible and highly individual, since it focuses on its own strengths. Fast internal processes ensure the shortest delivery times. Thanks to optimised organizational and process structures and its large parts warehouse, TAKTOMAT is able to considerably shorten delivery times. Consistent customer orientation as our corporate philosophy is the key to our success.

Variety

TAKTOMAT offers a wide product portfolio based on all the drive systems currently available on the market: barrel cams, disk cams, globoidal cams and servo technology. Naturally, TAKTOMAT also designs individual drive solutions that are not included in its catalogue program, so that customers can always access optimum solutions from a single source.

Quality assurance

Thanks to our 100 percent parts monitoring, all components produced by TAKTOMAT meet the highest requirements for consistent quality and precision. All these components are manufactured in-house. TAKTOMAT is certified in accordance with DIN EN ISO 9001 2000 (since 2001). With the maintenance-free "TAKTOMAT hardening quality" at fair prices, we are making great strides in terms of precision and reliability on the market. Long-term load tests and satisfied customers are proof of this.

Competitive edge

TAKTOMAT is committed to achieving the technologically feasible through continuous research projects and many years of experience with vehicle manufacturers. The integration of research and science in the development process, the continual optimization of quality and the patents for TAKTOMAT's in-house developments all exemplify the innovative power of the company.

Our partner Motion Index Drives has experience in the USA with rotary indexing tables and rotary barrel drives dating back to 1970.

Presence

Through a strong international focus and an extensive network of sales offices, TAKTOMAT goes the extra mile to meet its customers. The TAKTOMAT field service has sound technical knowledge and is the "first developer" for our customers. Alongside valuable experience and a highly motivated team, TAKTOMAT also has the necessary drive to spur projects on and ensure they are completed quickly. That is why our commitment is reflected in our slogan and company culture: passion for automation.

Rotary indexing

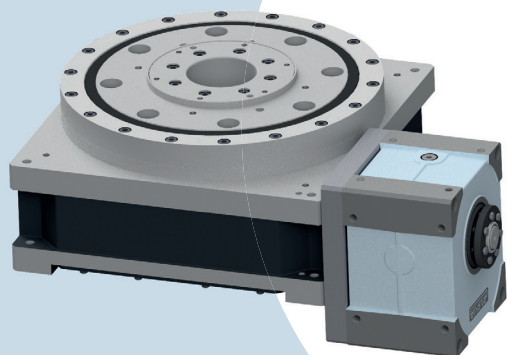
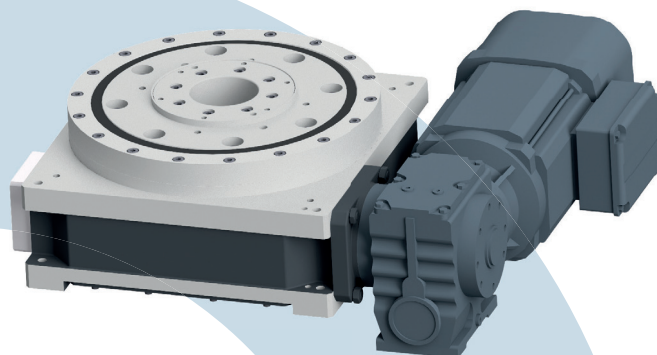
Rotary indexers with fix number of stops

The rotary indexers are available in many different sizes. The possible star wheel diameters range from 100 mm up to 10 m, meaning that we can meet requirements for the highest level of precision and reliability in various fields of application (e.g. assembly machines, welding systems, printing machines etc.).

Application is possible in explosion-risk areas, food industry, medical technology and microelectronics. Optimised design can guarantee the shortest possible switching times and the highest load-bearing capability.

All sizes are possible in fixed and flexible indexing.

Start-stop operation and continuous operation are both possible.



Rotary indexer with flexible number of stops

The rotary indexing table series RTF and TMF are particularly characterized by their high flexibility. They combine flexible motion sequences with robustness, durability and high torques. They differ from the RTX series in that they have a customer-supplied AC servo motor that can be attached to the interface of the worm gear unit.

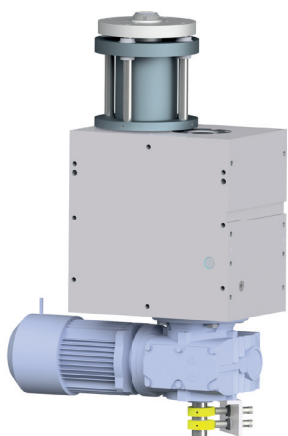
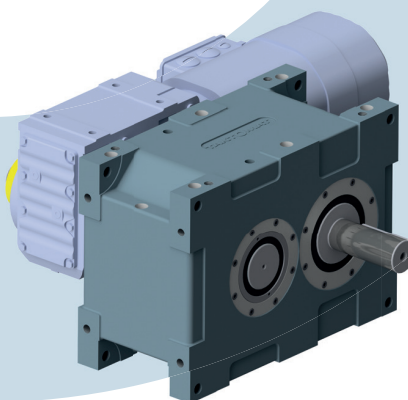
All flexible rotary indexing tables can be freely programmed and used in almost all applications in the manufacturing industry, from the small gear sector up to the heavy-duty sector. Any number of stations can be controlled with highest precision.

Parallel gears

A simple way to position linear timing belts and chains quickly and precisely with minimum control effort.

Standard designs available in more than 15 different sizes.

Start-stop operation and continuous operation are both possible.



Lift and rotating devices

Quick and precise lifting and rotating movements via a gearbox motor or flexibly through separate servo drives.

Special designs tailored to the requirement profile are available.

Start-stop operation and continuous operation are both possible.

Linear indexing

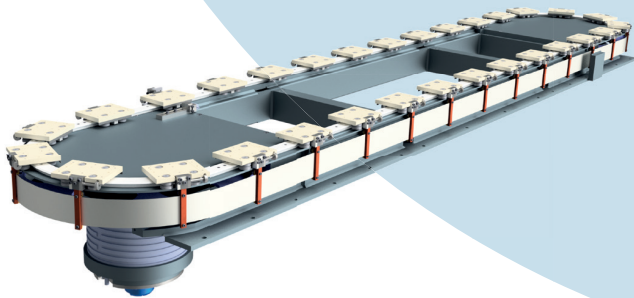
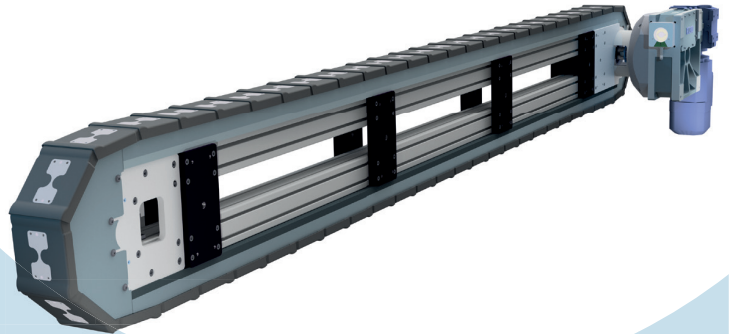
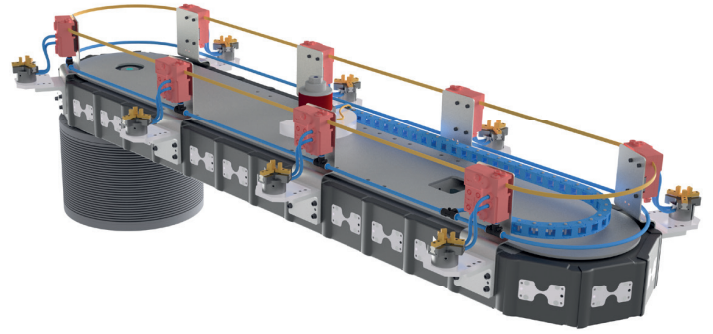
Linear transfer systems LFA and LCM

Systems with the highest precision without additional indexing. Fields of application are e. g. assembly machines, testing facilities, printing machines etc. The application in clean rooms, hazardous areas, the food industry, medical technology and microelectronics is customized possible.

Standard designs available in different sizes.

Can be positioned both vertically and horizontally. The shortest possible index times and various axial length available (even differing from standard). Start-stop operation and continuous operation are both possible.

Optional with synchronous disengagement to protect the entire machine, synchronous coupling for product changes and protective covers to protect the machine from dust and small parts. In increments of 40 mm to 600 mm and higher and also available in flexible design.



Linear transfer system LB

Flexible and precise linear steel belt system. Application is possible in explosion-risk areas, food industry, medical technology and microelectronics.

The distance of the work piece carriers and the number and position of stops on the work piece carriers can be selected freely. The highest level of precision and dynamics is reached thanks to a direct motor.

Accessories

- Rotary indexer controller TIC for wear-free indexing of highly dynamic rotary indexers or rotary indexers with heavy superstructures, stepping gears and linear systems.
- Basic frames for all units individually made.
- Indexing tables for rotary indexing tables made of aluminium or steel.



Customer-specific

Calculation and manufacture of all cam geometries according to customer drawings and diagrams or variants specially created by us for the requirement.

Programming with all common laws of motion.

TAKTOMAT

passion for automation

Rudolf-Diesel-Str. 14 D 86554 Pöttmes Tel +49 (0)82 53-99 65-0 Fax +49 (0)82 53-99 65-50
info@taktomat.com www.taktomat.com

